

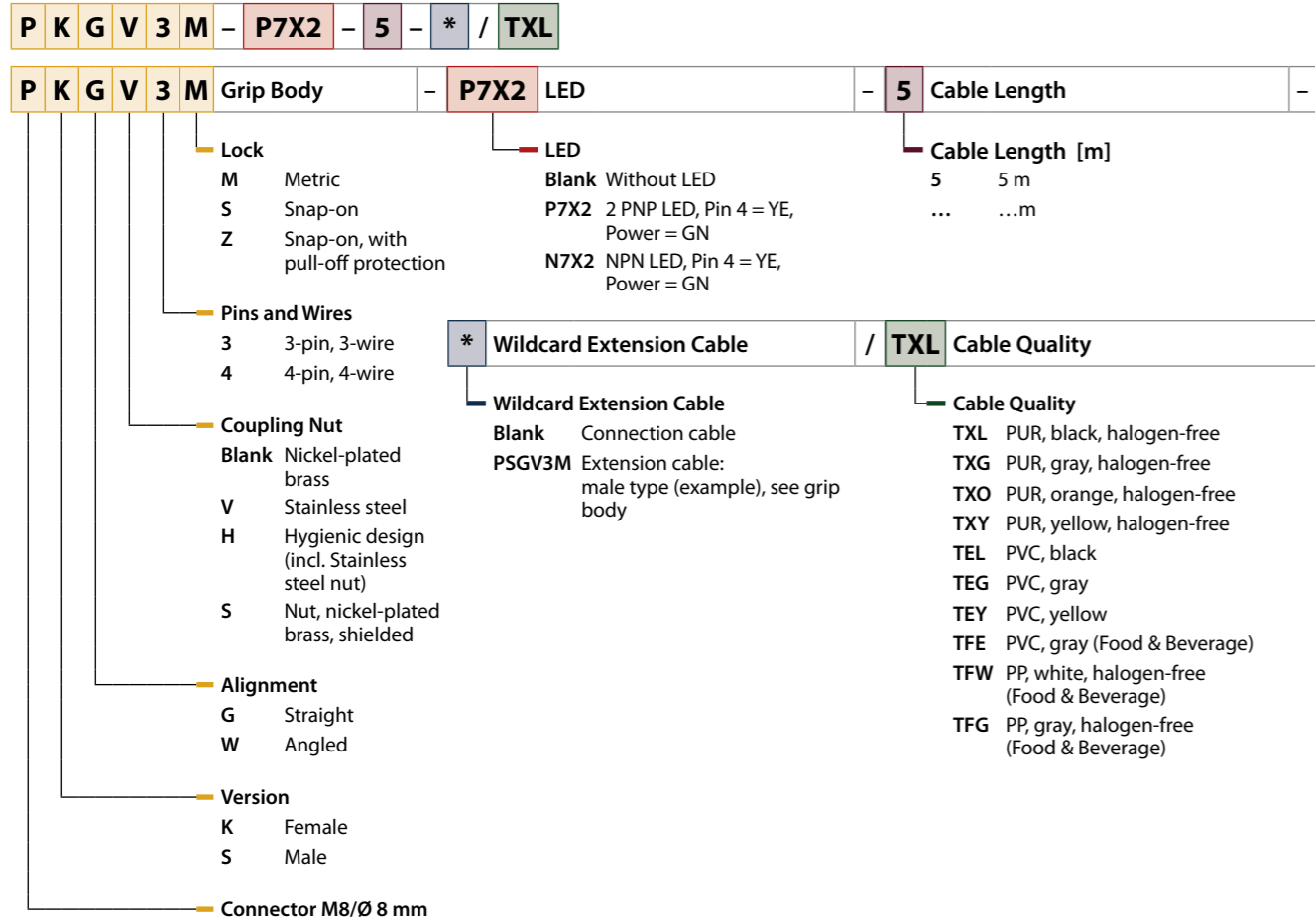
Your Global Automation Partner

TURCK

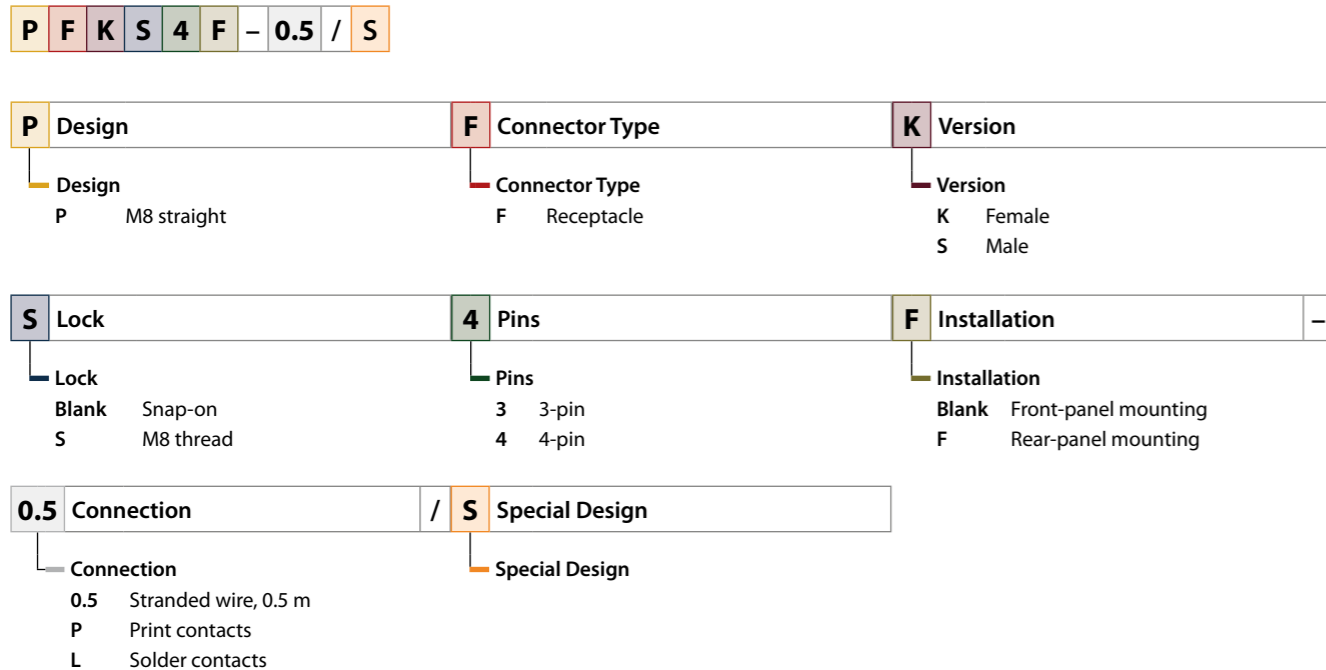


Connectivity Type Codes

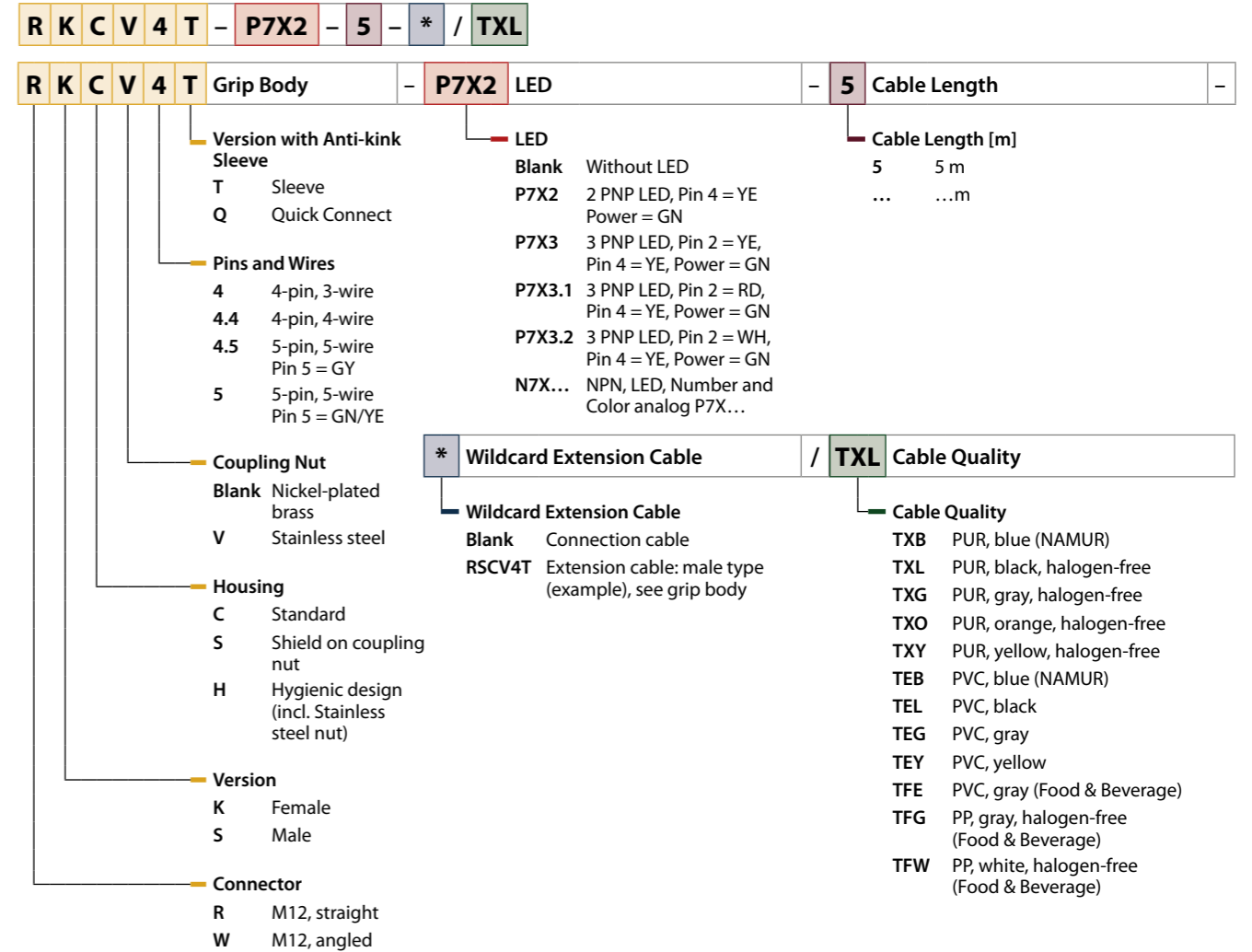
M8 – Connection and Extension Cables



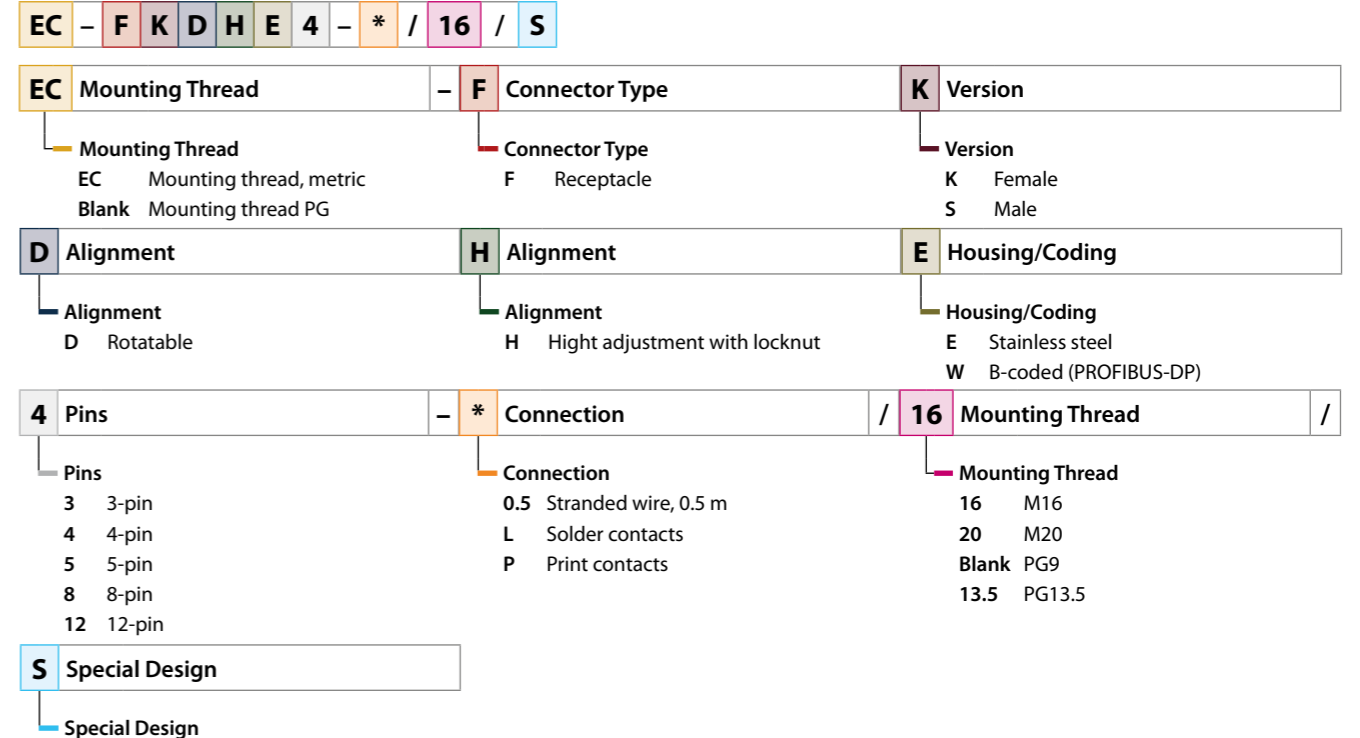
M8 – Receptacles



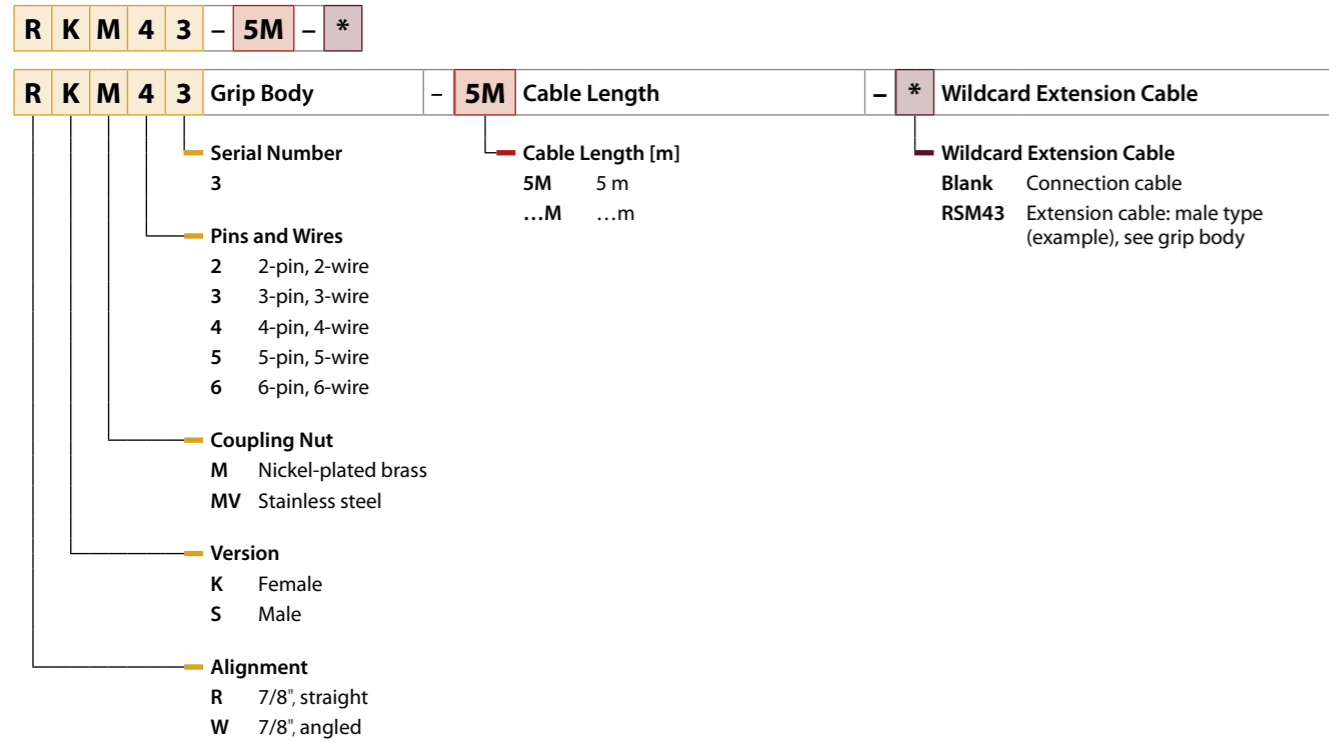
M12 – Connection and Extension Cables



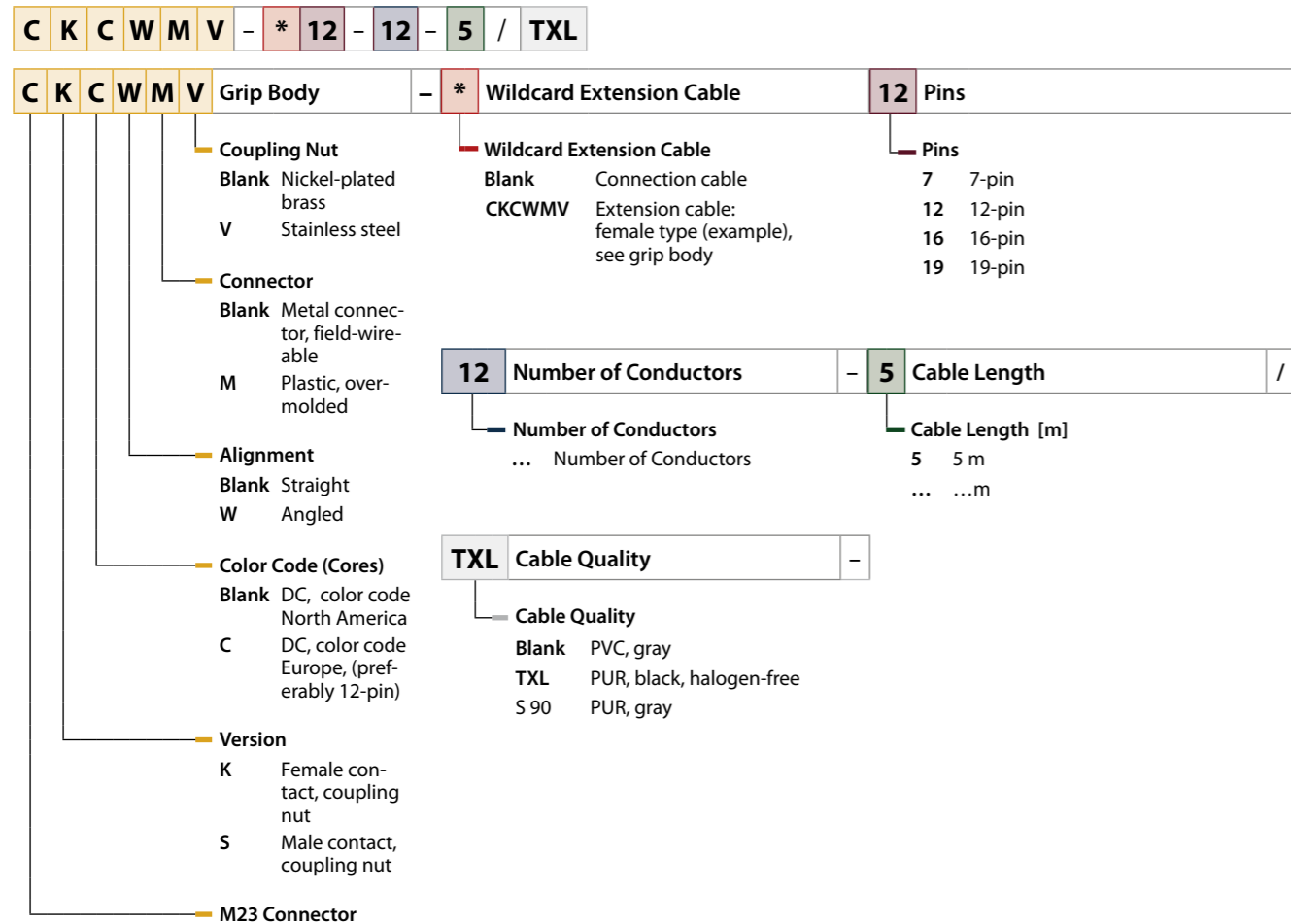
M12 – Receptacles



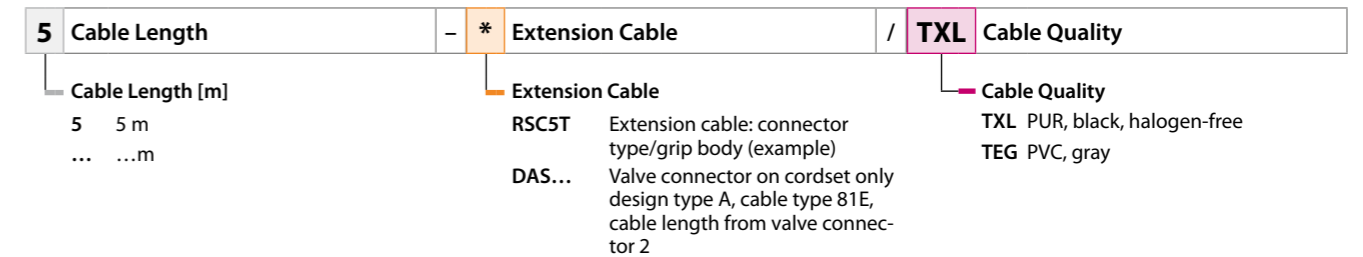
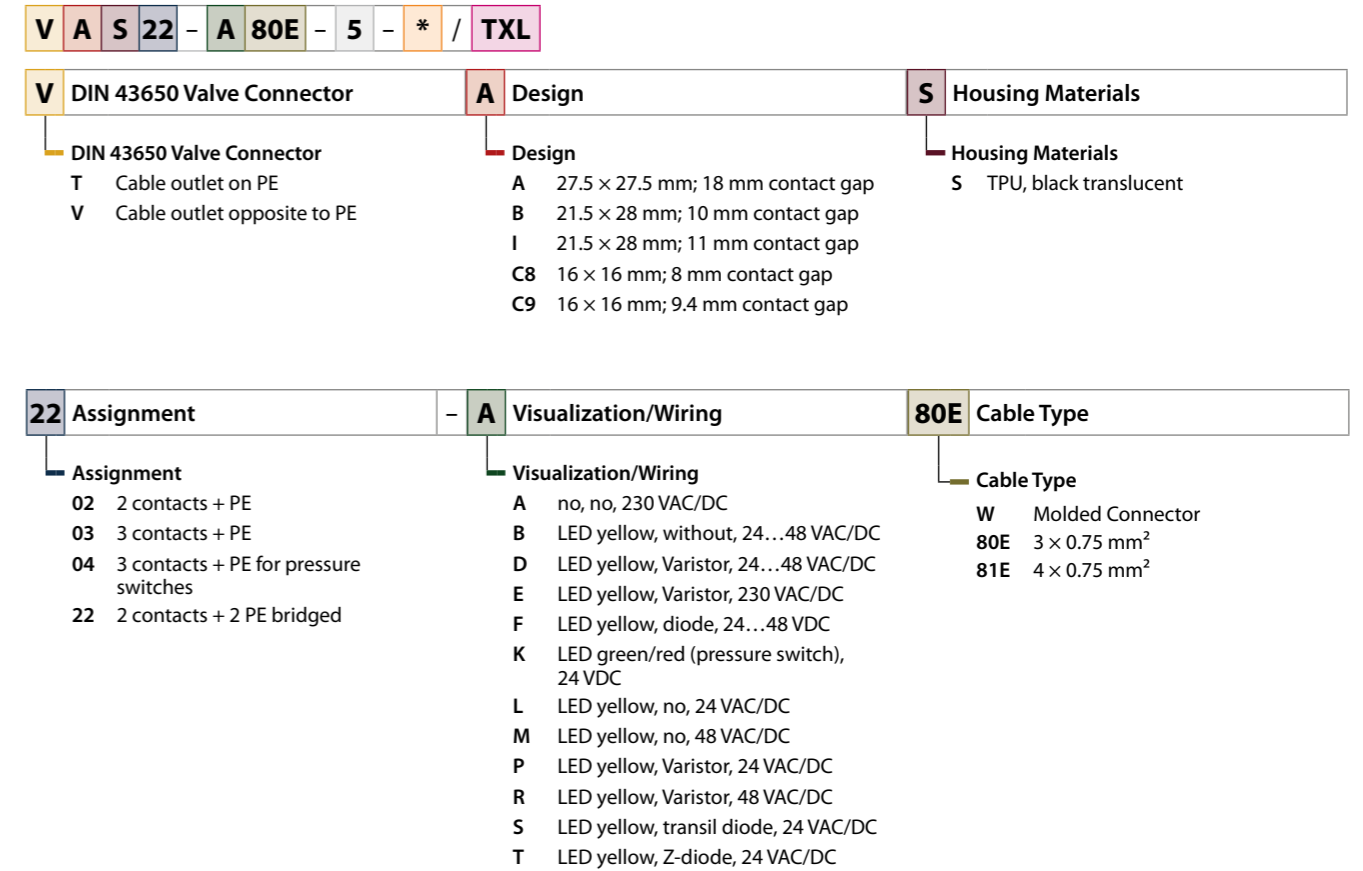
7/8" – Connection and Extension Cables



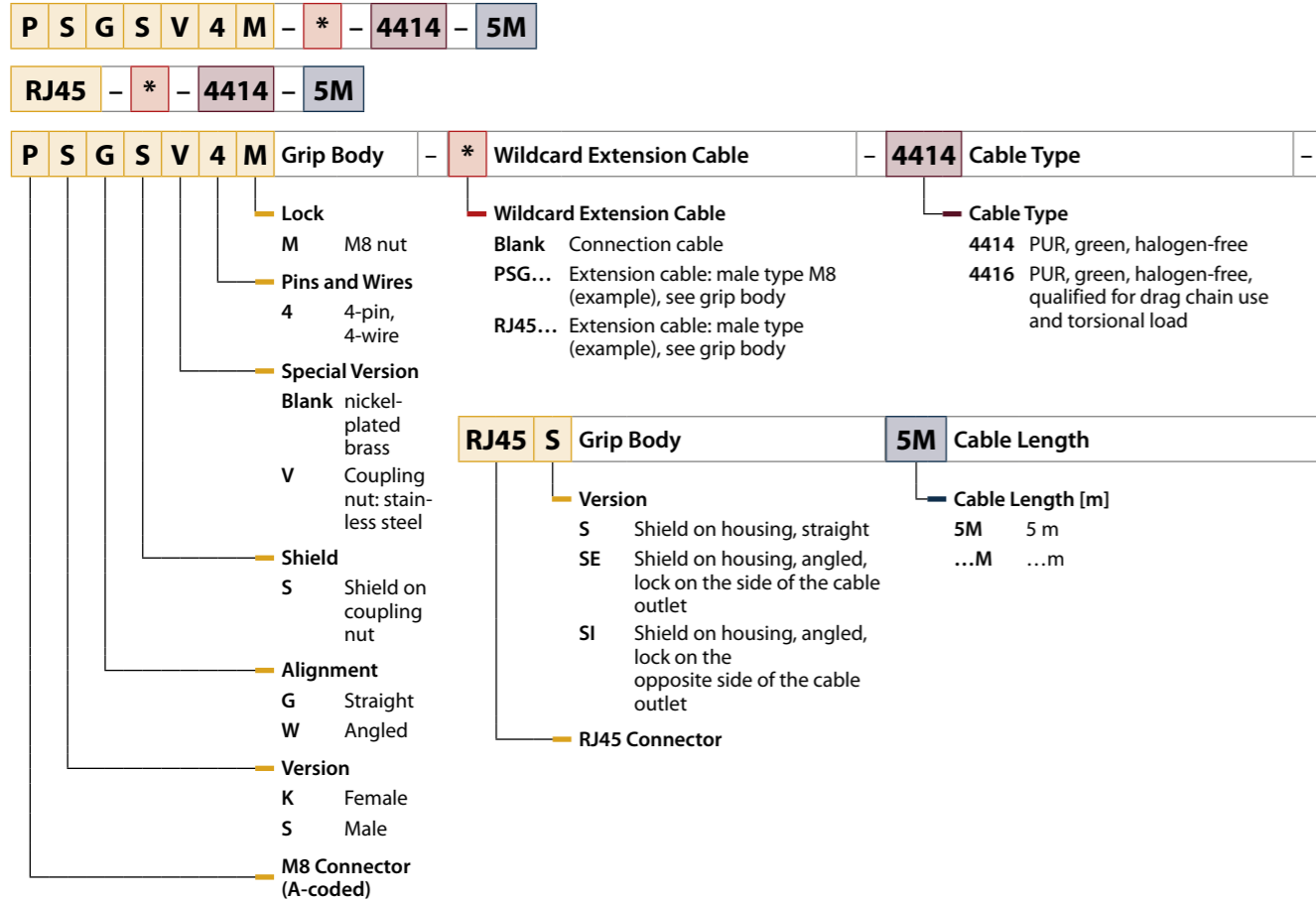
M23 – Connection and Extension Cables



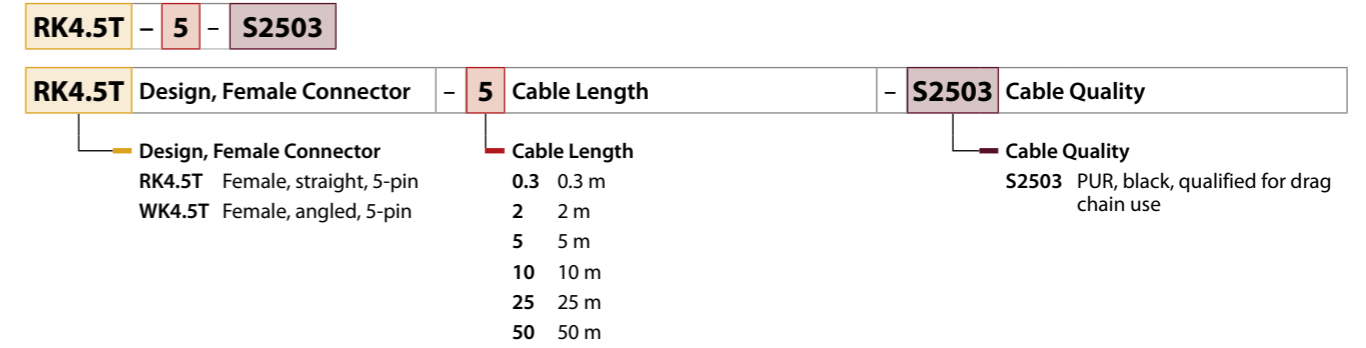
Valve Connector



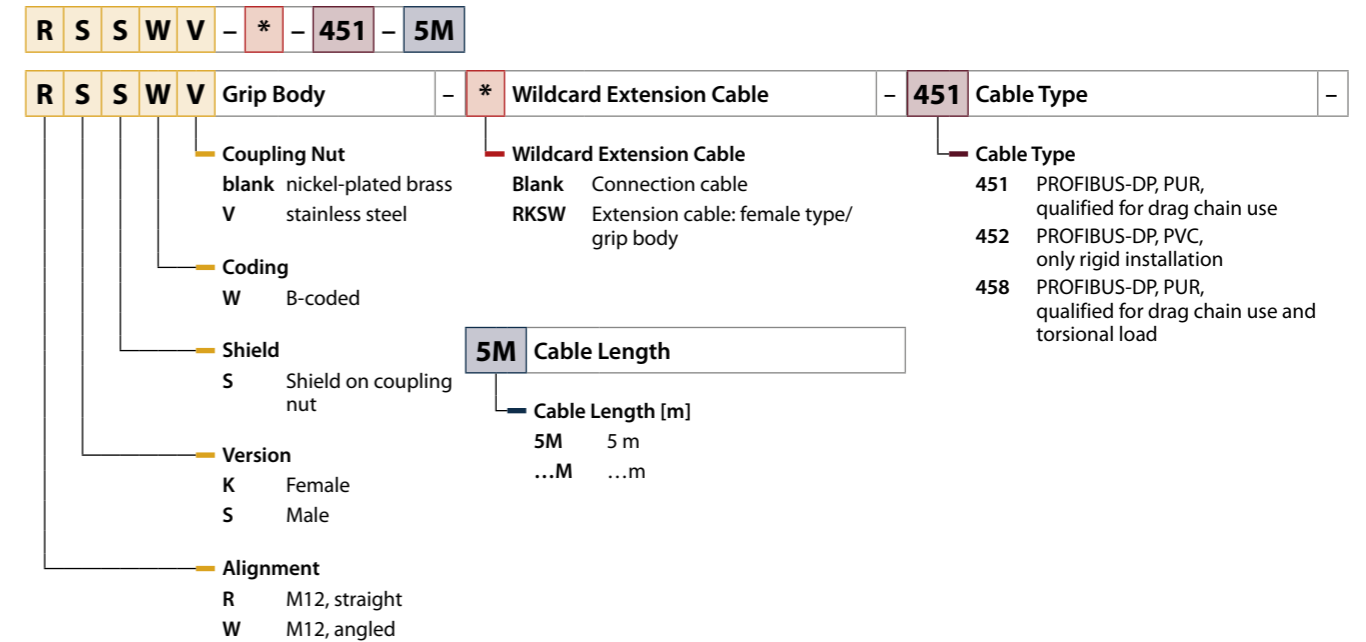
Ethernet – M8 and RJ45 – Connection and Extension Cables



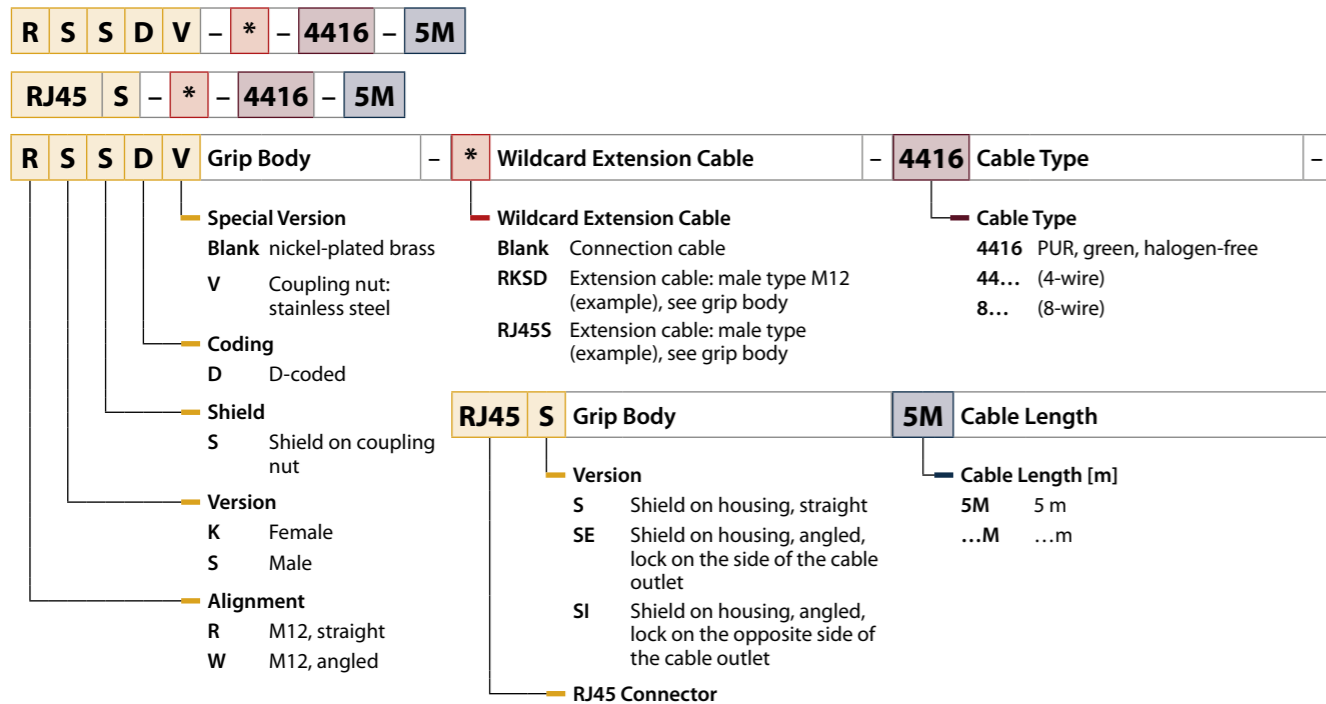
BL ident – RFID Connection Cables



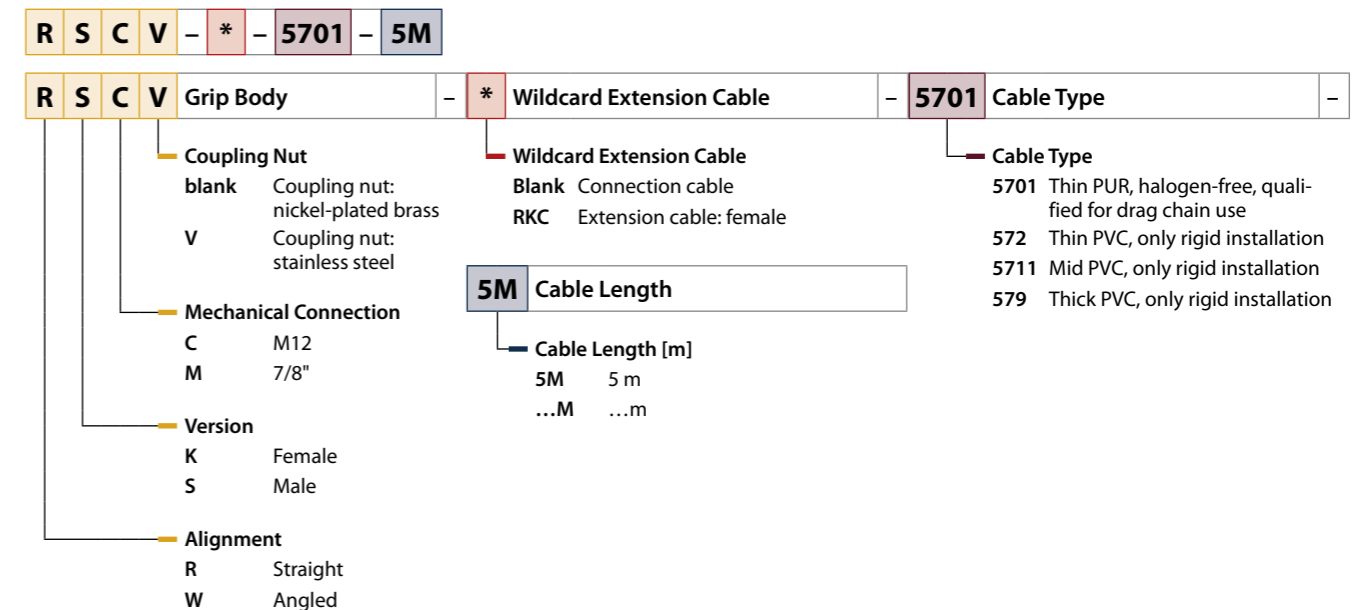
PROFIBUS-DP – Connection and Extension Cables



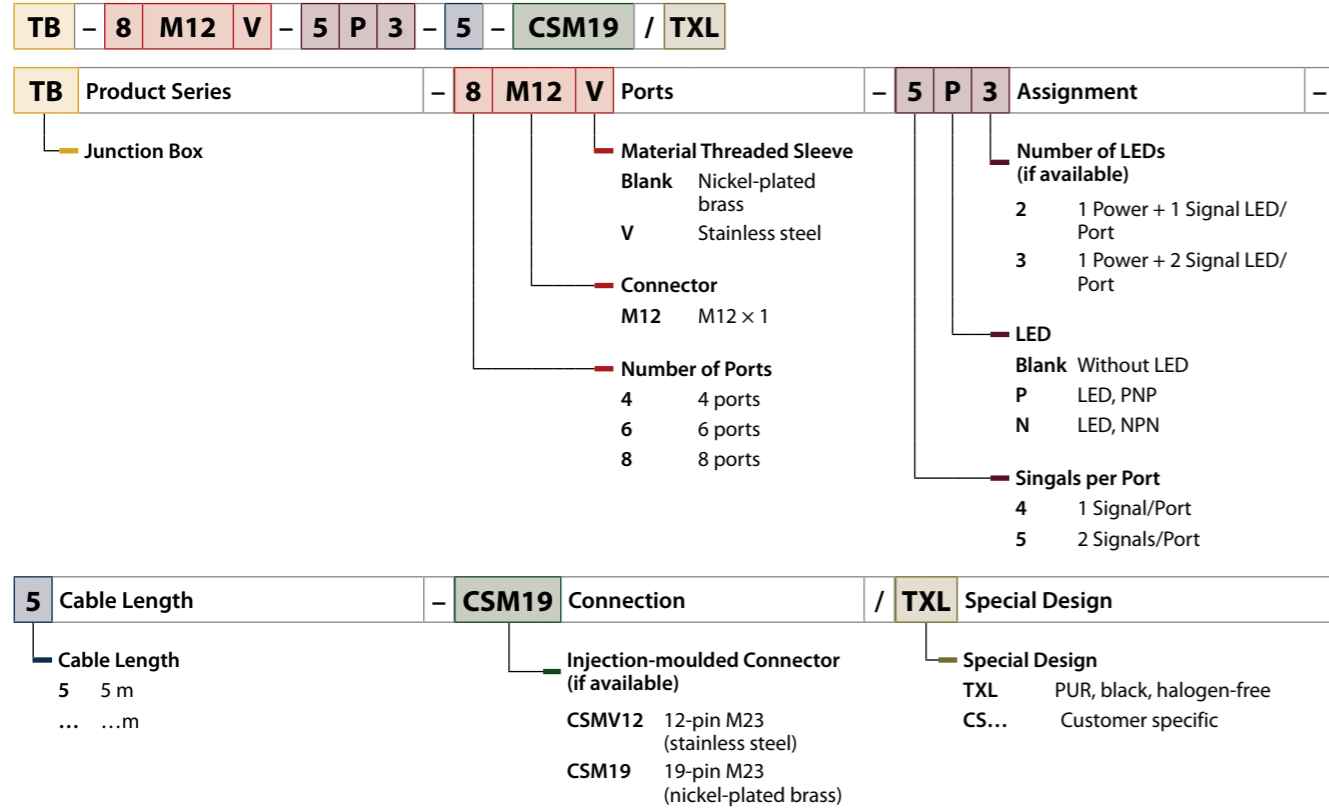
Ethernet – M12 and RJ45 – Connection and Extension Cables



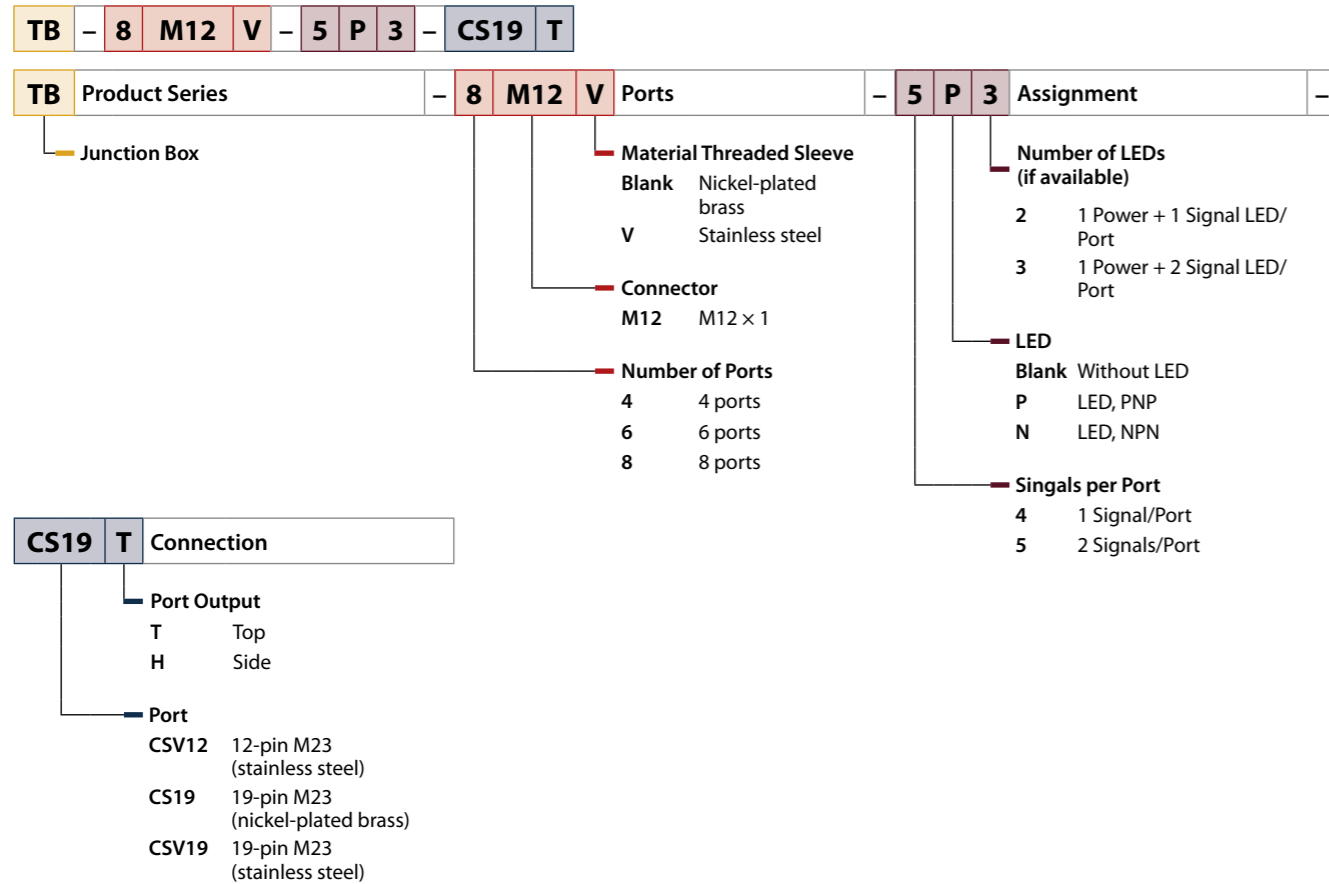
DeviceNet – Connection and Extension Cables



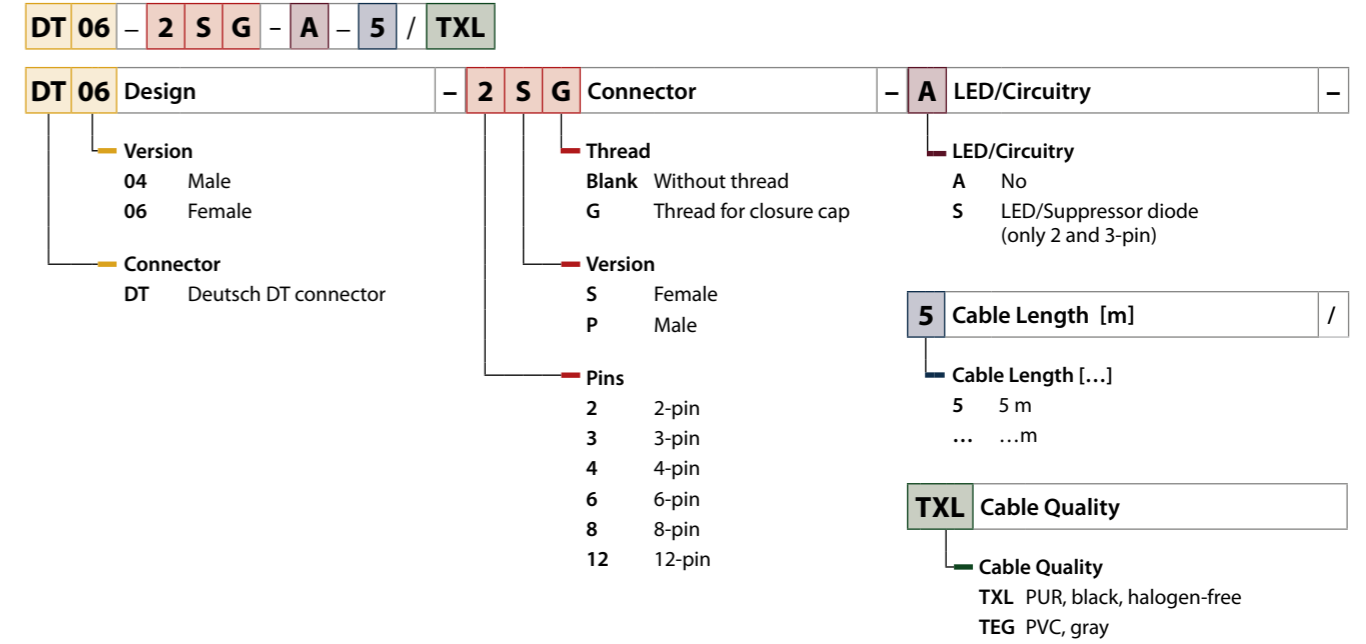
Sensor/Actuator-Box – Homerun Cable



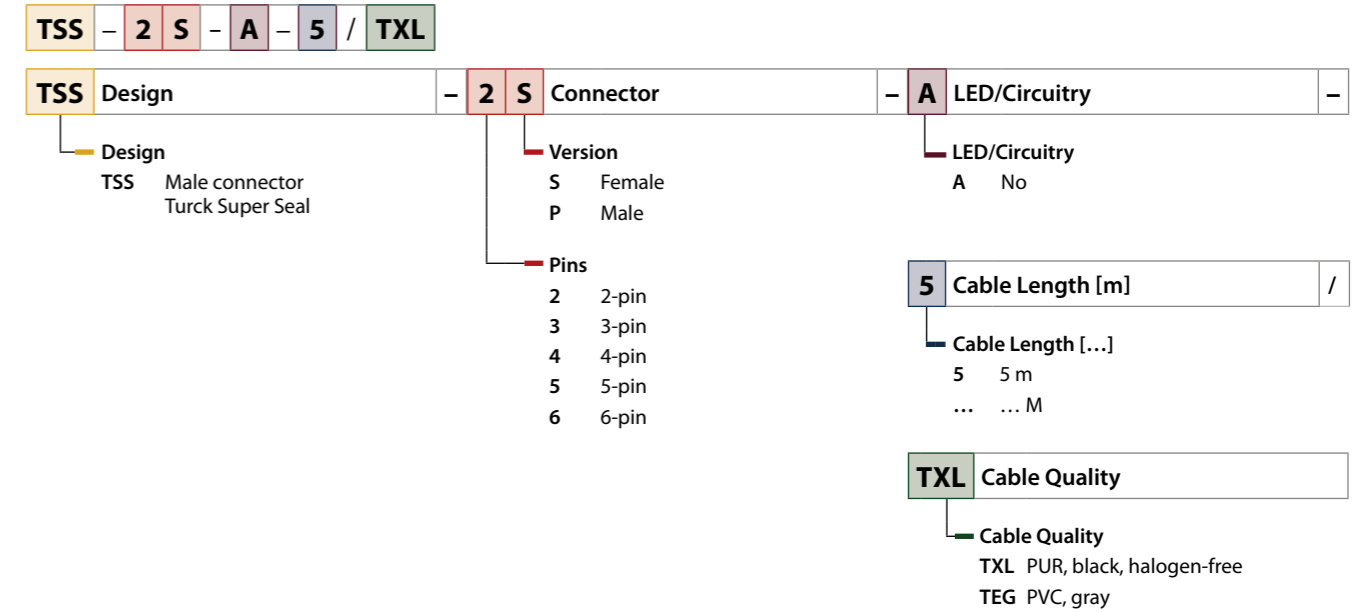
Sensor/Actuator-Box – Connector



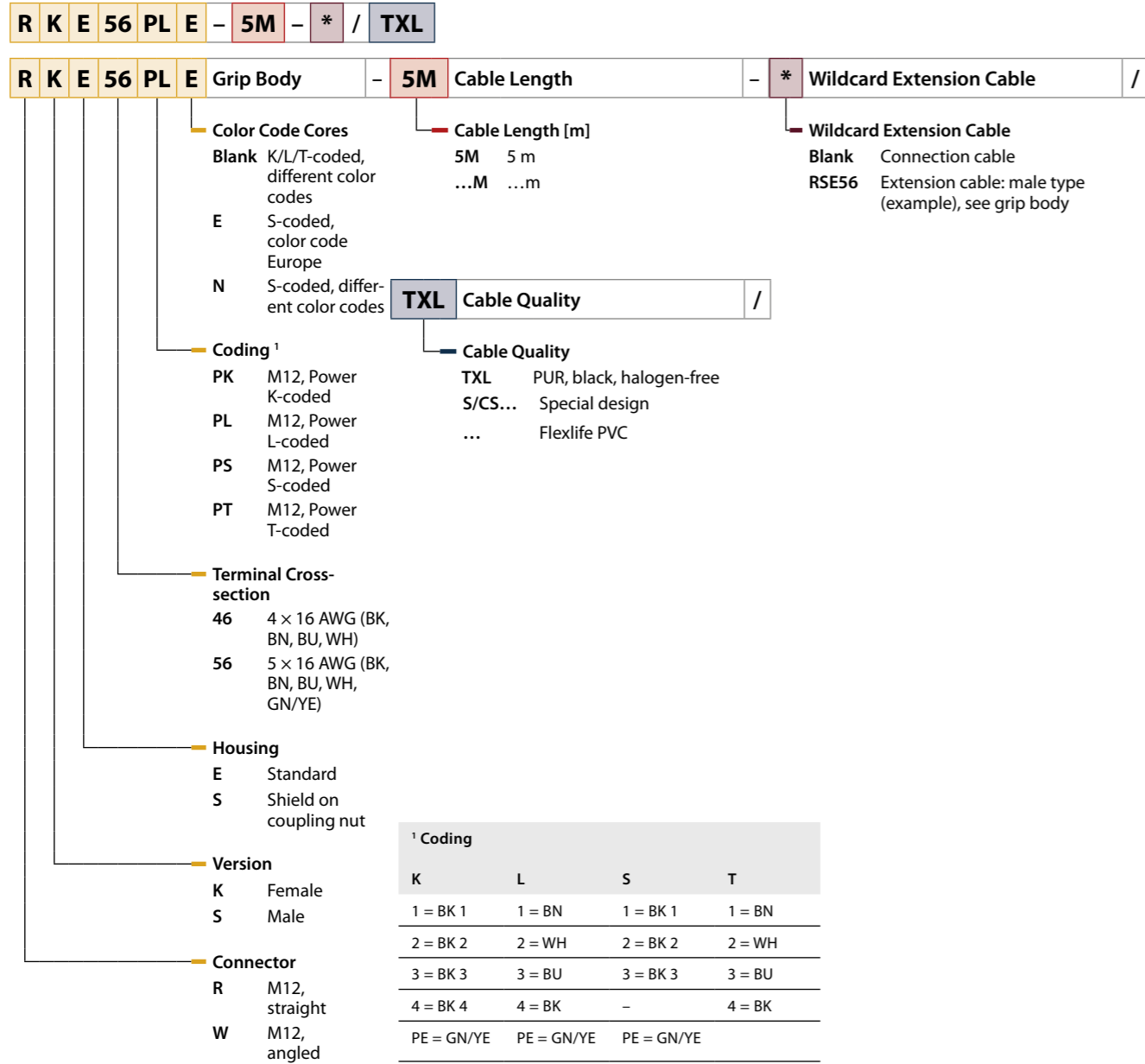
Deutsch DT Series – Connection and Extension Cables



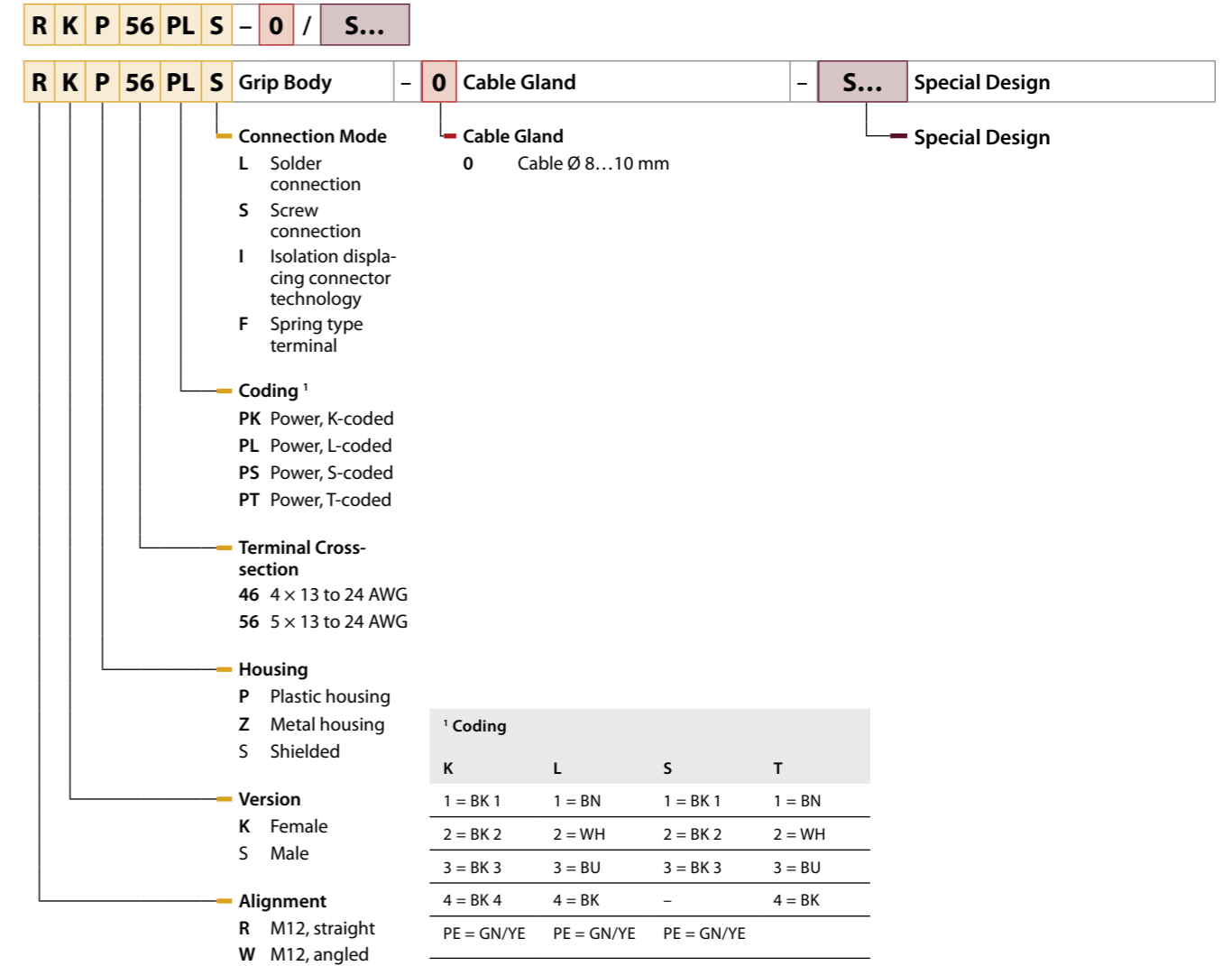
Super-Seal Series – Connection Cables



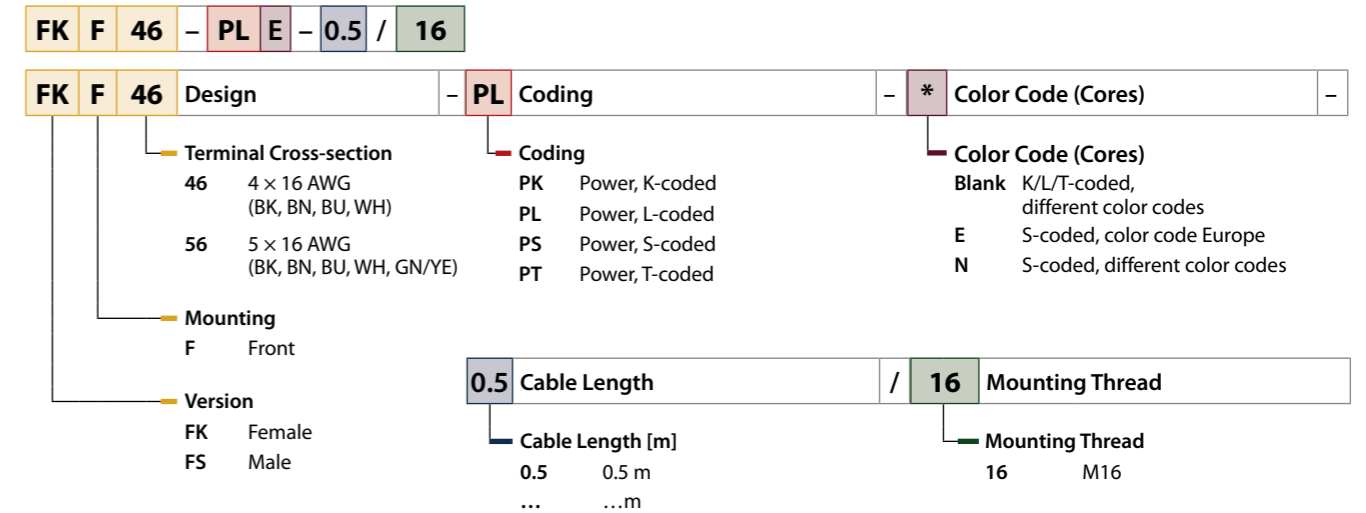
M12 – Power – Connection and Extension Cables



M12 – Power – Connection Cables, Field-wireable



M12 – Power – Receptacles



TURCK

28 subsidiaries and over
60 representations worldwide!

100000176 | 2017/09



www.turck.com