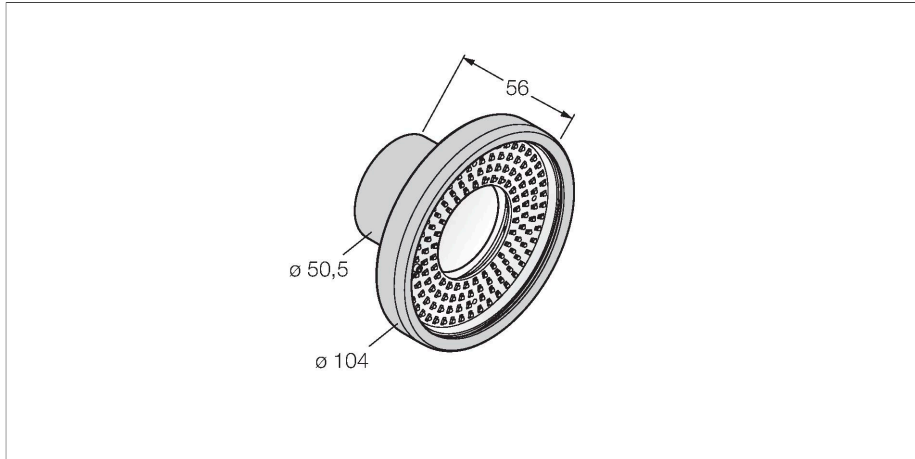


PPROCAM1.3SB-G

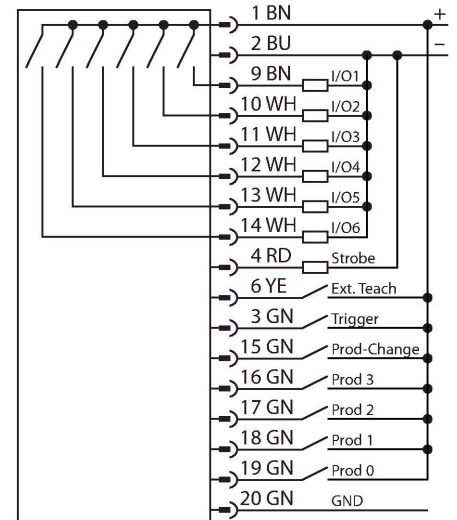
视觉系统 – Camera P3



特点

- Compact camera with integrated ring light
- Housing material aluminium
- Glas inspection window
- Protection class IP68
- Lens to be ordered separately
- Separate controller required, type PPROCTL
- 2/3" CMOS, 752x480 像素
- 256灰度值

接线图



功能原理

The image processing system PresencePLUS PRO consists of the compact camera and the processing unit incorporated in a separate controller. Lens, external/internal lighting and connection cable are to be ordered separately. Freeware and firmware updates are available for download on: www.bannerengineering.com

技术数据

型号	PPROCAM1.3SB-G
货号	3077050
相机数据	
Resolution	1280 × 1024 像素
发光模式	蓝
波长	465...485 nm
直流额定工作电流	≤ 550 mA
机械数据	
尺寸	Ø 104 x 143.3 mm
外壳材料	铝
Window material	玻璃, 明确
工作温度	0...+50 °C
防护等级	IP68
测试/认证	
认证	CE

附件

尺寸图	型号	货号
	PPC06	3062409
	PPC06RA	3070827