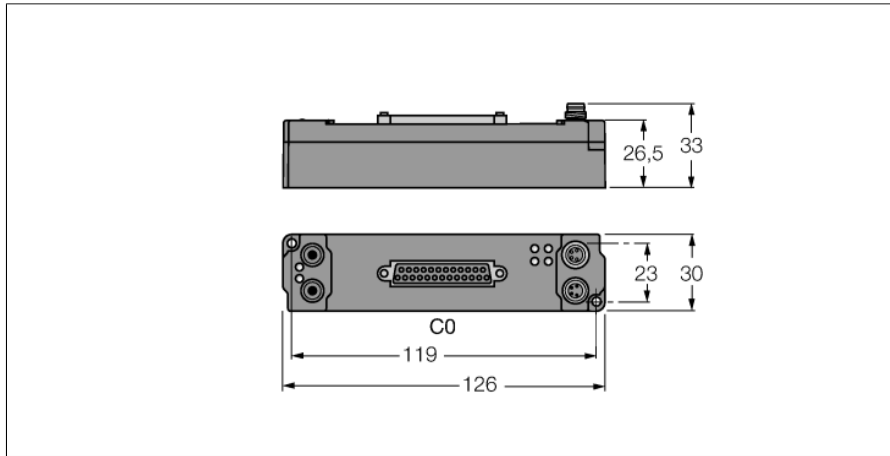
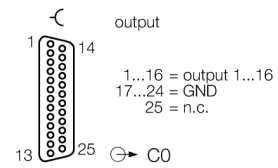


用于IP-Link的piconet扩展模块 16路数字量输出0.5 A (总共4 A) SNNE-0016D-0002

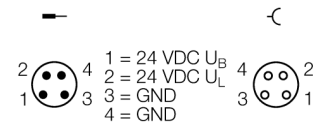


- 直接连接至IP Link
- 玻璃纤维加固外壳
- 模块电路封装
- 金属接插件
- 防护等级IP67

Sub-D 输出



M8 × 1 电源



$$I_{Bmax} = I_{Lmax} = 4 \text{ A}$$

| | |
|--------------------|---------------------------------------|
| 型号 | SNNE-0016D-0002 |
| 货号 | 6824476 |
| 通道数 | 16 |
| 工作/负载电压 | 20...29 VDC |
| 工作电流 | ≤ 25 mA |
| Fibre-optic length | ≤ 15 m |
| 通道数 | 16 digital outputs acc. to EN 61131-2 |
| 输出电压 | 20...29 VDC, 来自负载电压 |
| 通道输出电流 | 0.5 A (Σ 4 A), 短路保护 |
| 负载类型 | 阻性, 感性, 灯 |
| 开关频率 | ≤ 500 Hz |
| 同步因数 | 0.5 |
| 尺寸 (长/宽/高) | 30 x 126 x 26.5 mm |
| 振动测试 | 符合EN 60068-2-6标准 |
| 冲击测试 | 根据 DIN EN 60068-2-27 |
| 电磁兼容性 | 符合EN 61000-6-2/EN 61000-6-4标准 |
| 防护等级 | IP20 |
| 认证 | CE, cULus |

过程映像中的数据

| | | Bit 7 | Bit 6 | Bit 5 | Bit 4 | Bit 3 | Bit 2 | Bit 1 | Bit 0 | |
|---|--------|---------------------------------------|--|-------|-------|-------|--|-------|-------|-------|
| PROFIBUS-DP coupling module: "Byte alignment" is disabled (default) and byte n has been used halfway. DeviceNet™, CANopen, INTERBUS, Ethernet coupling module: Byte n has been used halfway. Up to 8 bit user data are mapped. | Output | Byte n | C0P4 | C0P3 | C0P2 | C0P1 | is used by the physically preceding bit-oriented extension module connected via the IP Link. | | | |
| | | Byte n+1 | C0P12 | C0P11 | C0P10 | C0P9 | C0P8 | C0P7 | C0P6 | C0P5 |
| | | Byte n+2 | is used by the physically following bit-oriented extension module connected via the IP Link. | | | | C0P16 | C0P15 | C0P14 | C0P13 |
| PROFIBUS-DP coupling module: "Byte alignment" is disabled (default) and the previous byte has been completely used or "byte alignment" is active. DeviceNet™, CANopen, INTERBUS, Ethernet coupling module: The previous byte has been completely used. Up to 8 bit user data are mapped. | Output | Byte n | C0P8 | C0P7 | C0P6 | C0P5 | C0P4 | C0P3 | C0P2 | C0P1 |
| | | Byte n+1 | C0P16 | C0P15 | C0P14 | C0P13 | C0P12 | C0P11 | C0P10 | C0P9 |
| | | C... = Connector no. - P... = Pin no. | | | | | | | | |