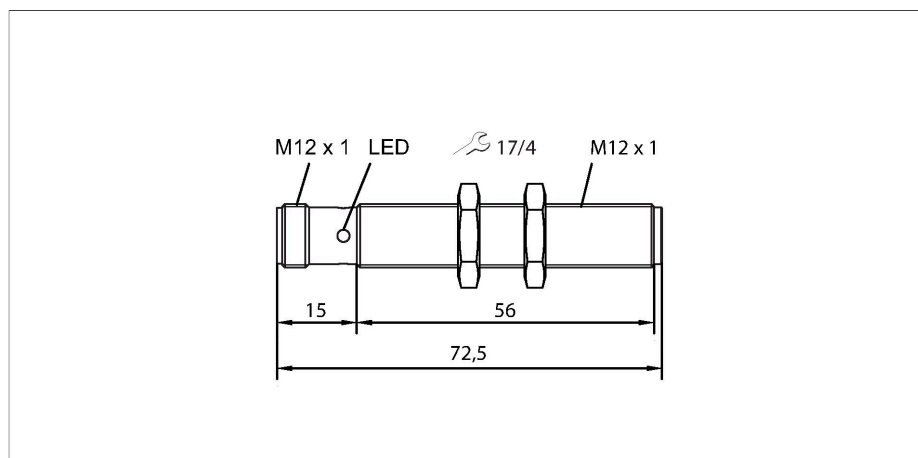


RU40U-M12-LU8X2-H1141

Ultrasonic Sensor – Diffuse Mode Sensor



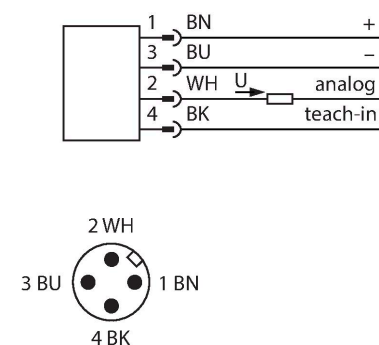
Technical data

Type	RU40U-M12-LU8X2-H1141
ID	100000283
Ultrasonic data	
Function	Proximity switch
Range	40...400 mm
Resolution	0.5 mm
Minimum measuring range	30 mm
Ultrasound frequency	300 kHz
Repeat accuracy	≤ 0.15 % of full scale
Linearity error	≤ ± 0.5 %
Edge lengths of the nominal actuator	20 mm
Approach speed	≤ 5 m/s
Pass speed	≤ 2.9 m/s
Electrical data	
Operating voltage	15...30 VDC
Residual ripple	10 % U _{ss}
No-load current	≤ 50 mA
Response time typical	< 60 ms
Readiness delay	≤ 300 ms
Output function	Analog output
Voltage output	0...10 V
Load resistance voltage output	≥ 1 kΩ
Short-circuit protection	yes
Reverse polarity protection	yes
Wire breakage protection	yes
Setting option	Remote Teach

Features

- Smooth sonic transducer face
- Cylindrical housing M12, potted
- Connection via M12 × 1 male connector
- Teach range adjustable via connection cable
- Blind zone: 4 cm
- Range: 40 cm
- Resolution: 0.5 mm
- Aperture angle of sonic cone: ±15 °
- Analog output 0...10 V

Wiring diagram



Functional principle

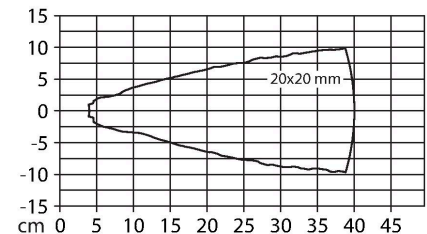
Ultrasonic sensors capture a multitude of objects contactlessly and wear-free with ultrasonic waves. It does not matter whether the object is transparent or opaque, metallic or non-metallic, firm, liquid or powdery. Even environmental conditions such as spray, dust or rain hardly affect their function. The sonic cone diagram indicates the detection range of the sensor. In accordance with standard EN 60947-5-7, quadratic targets in a range of sizes (20 × 20 mm, 100 × 100

Technical data

Mechanical data	
Design	Threaded barrel, M12
Radiation direction	straight
Dimensions	Ø 12 x 72.5 mm
Housing material	Metal, CuZn, Chrome-plated
Max. tightening torque of housing nut	20 Nm
Transducer material	Plastic, Epoxyd resin and PU foam
Electrical connection	Connector, M12 × 1, 4-wire
Ambient temperature	-10...+60 °C
Storage temperature	-40...+80 °C
Pressure resistance	0.5...5 bar
Protection class	IP67
Object detected	LED, Green
Tests/approvals	
MTTF	304 years acc. to SN 29500 (Ed. 99) 40 °C
Declaration of conformity EN ISO/IEC	EN 60947-5-7
Vibration resistance	IEC 60068-2
Approvals	CE cULus

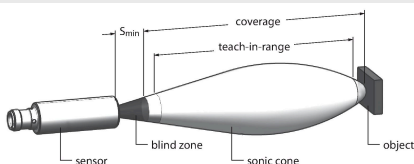
mm) and a round rod with a diameter of 27 mm are used.
Important: The detection ranges for other targets may differ from those for standard targets due to the different reflection properties and geometries.

Sonic Cone



Mounting instructions

Mounting instructions/Description



Setting the limit values

The ultrasonic sensor has an analog output with a teachable measuring range. The green and yellow LEDs indicate whether the sensor has detected the object.

Teach

- Position object for remote limit value
- Short-circuit pin 4 (BK) against Ub for 2–7 seconds
- Position object for close limit value
- Short-circuit pin 4 (BK) against Ub for 8–11 seconds

Optional: Short-circuit pin 4 (BK) against Ub for 12–17 seconds to invert the analog output (no object required)

- Return to normal operating mode after 17 s or more.

LED response

Successful teach-in is displayed with a fast flashing LED. The sensor then automatically runs in normal operating mode. Unsuccessful teach-in is indicated by the LED flashing alternately green and yellow.

In normal operation, the two LEDs indicate the status of the sensor.

- Green: Object within the detection range, but not in the measuring range
- Yellow: Object is within the measuring range

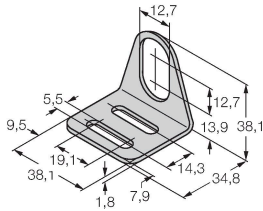
- Off: Object is outside the detection range or signal loss

Accessories

MW-12

6945003

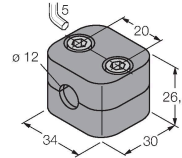
Mounting bracket for threaded barrel sensors; material: Stainless steel A2 1.4301 (AISI 304)



BSS-12

6901321

Mounting clamp for smooth and threaded barrel sensors; material: Polypropylene



Accessories

Dimension drawing

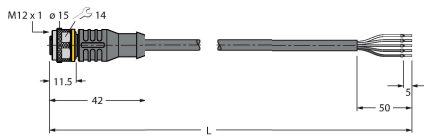
Type

ID

RKC4.5T-2/TEL

6625016

Connection cable, M12 female connector, straight, 5-pin, cable length: 2 m, jacket material: PVC, black; cULus approval



WKC4.5T-2/TEL

6625028

Connection cable, M12 female connector, angled, 5-pin, cable length: 2 m, jacket material: PVC, black; cULus approval

