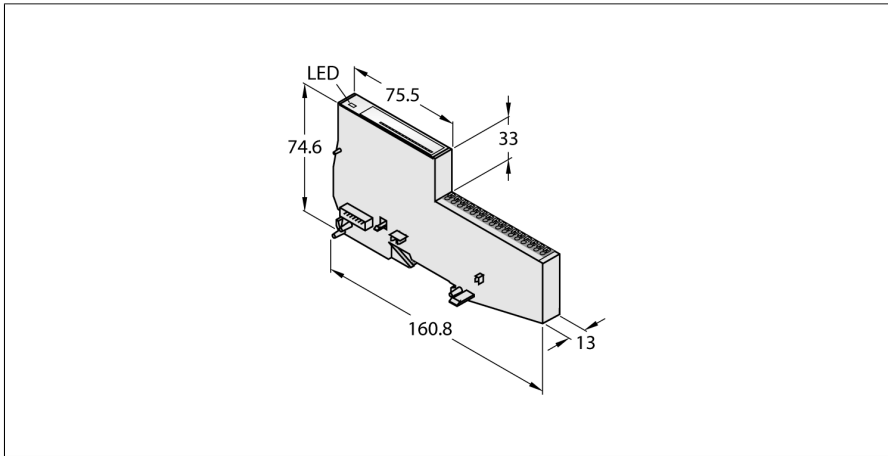


BL20 Economy Module

Potential Distribution Module, 16x GND

BL20-E-16GNDL



- Fieldbus-independent
- Electronics and connection technology in one housing
- Connectivity: Push-in terminals
- Protection class IP20
- 16 connection terminals for wiring the GND potential from the U_L field supply

Functional principle

Electronics and connection technology are integrated in the housing. A base module is not needed. Economy modules and modules with separate electronics and connection technology can be fitted into a station, provided the base modules feature tension spring connections.

The use of gateways makes economy modules completely independent from the higher level fieldbus.

Type	BL20-E-16GNDL
ID	100001338
Number of channels	16
Rated voltage from the supply terminal	24 VDC
Admissible range	18...30 VDC
Output connectivity	Push-in
Dimensions (W x L x H)	13 x 160.8 x 74.6 mm
Ambient temperature	0...+55 °C
Storage temperature	-25...+85 °C
Relative humidity	15...95 %, no condensation allowed
Vibration test	Acc. to EN 61131
Shock test	Acc. to IEC 60068-2-27
Drop and topple	acc. to IEC 68-2-31 and free fall to IEC 68-2-32
Electromagnetic compatibility	Acc. to EN 50082-2
Protection class	IP20
MTTF	15435 years acc. to SN 29500 (Ed. 99) 20 °C

Connection Overview



Note

The module supplies the GND potential from the U_i field supply of the gateway or a power feeding module on 16 channels.

Pin Assignment

