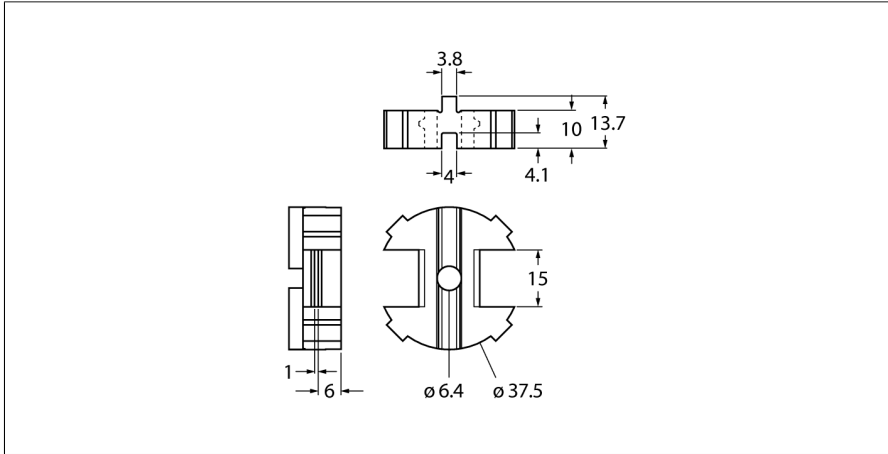


# Accessories

## Spacer for Actuator (Puck)

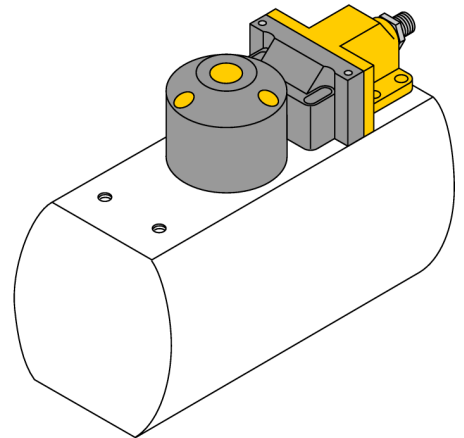
### BTS-DSC26-UR10



- For actuation kit (puck) BTS-DSC26-EB20
- With this accessory, the puck can be mounted on a connection shaft (shaft extension) with a height of 20 mm

#### General description

Dual sensors are especially designed for position detection in rotary actuators. They combine the reliability of non-contact inductive sensors with the flexibility of a modular housing system. A broad range of practice-oriented accessories ensure optimal adaption to your system.



Type	BTS-DSC26-UR10
ID	100002103
Design	Accessories for dual sensor, Ni4-DSC26-..., Ni4-DSU26...
Housing material	Plastic, PA6, Black
Included in delivery	1 pcs. countersunk screws: M6 × 25, DIN 7991-A2