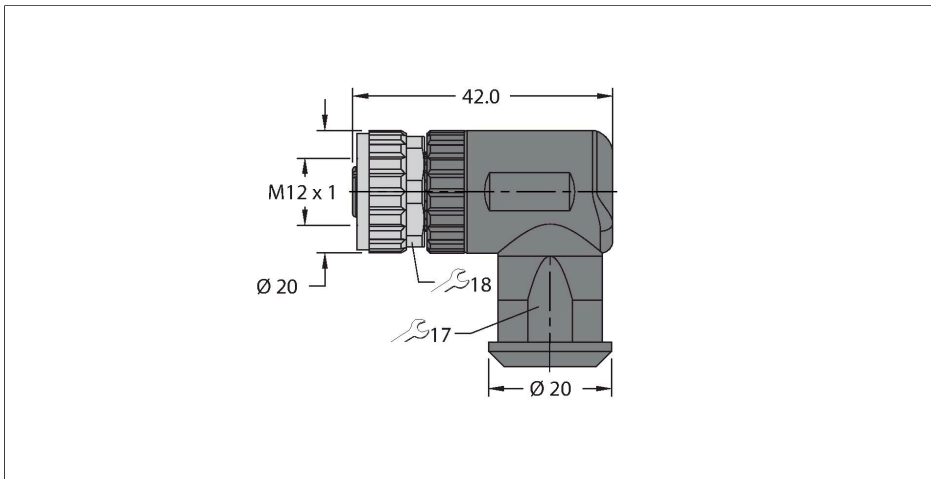


FW-EWKPM0416-SA-S-0408

Field-Wireable Connector

Female Connector M12 × 1, Angled

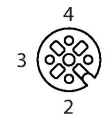


Features



- Screw-clamp terminal
- A-coding
- 4-pin
- Cable feedthrough: 4.0...8.0 mm
- Terminal capacity: 0.25...1.5 mm²
- Approval: cULus

Contact assignment



Technical data

Type	FW-EWKPM0416-SA-S-0408
ID	100002286
Connector A	Female, M12 × 1, Angled, A-coded
Number of Pins	4
Contacts	CuZn, Gold-plated
Contact carriers	Plastic, PA UL94-V0, Black
Connector body	Plastic, PA6 GF, UL 94, Black
Coupling nut/screw	Brass, CuZn, Nickel-plated
Seal	Plastic, FPM/FKM
Tightening torque (range)	0.4 ... 0.4 Nm (observe max. torque of mating connector!)
External diameter of the cable	4...8 mm
Core cross-section/Clamping ability	0.25...1.5 mm ²
Connection mode	Screw/clamp connection
Mechanical lifespan	> 100 Mating cycles
Protection class	IP67, (screwed together)
Electrical properties at +20 °C	
Rated voltage	250 V
Current	4 A
Insulation resistance	≥ 10 ⁸ Ω
Mechanical and chemical properties	
Ambient temperature range (stationary)	-40...+85 °C
Approvals	cULus