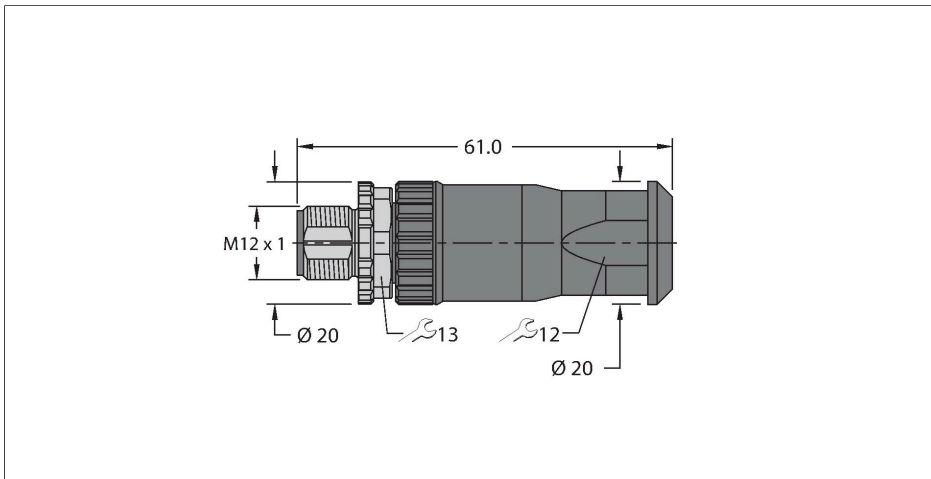


# FW-ERSPM0516-SA-S-0408

## Field-Wireable Connector

### Male Connector M12 × 1, Straight

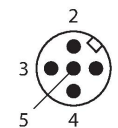


#### Features



- Screw-clamp terminal
- A-coding
- 5-pin
- Cable feedthrough: 4.0...8.0 mm
- Terminal capacity: 0.25...1.5 mm<sup>2</sup>
- Approval: cULus

#### Contact assignment



#### Technical data

Type	FW-ERSPM0516-SA-S-0408
ID	100002289
Replaces	100000589
Connector A	Male, M12 × 1, Straight, A-coded
Number of pins	5
Contacts	Brass, CuZn, Gold-plated
Contact carriers	Plastic, PA UL94-V0, Black
Connector body	Plastic, PA6 GF, UL 94, Black
Coupling nut/screw	Brass, CuZn, Nickel-plated
Seal	Plastic
Tightening torque (range)	0.4 ... 0.4 Nm (observe max. torque of mating connector!)
Screw-in thread seal	FPM/FKM
External diameter of the cable	4...8 mm
Core cross-section/Clamping ability	0.25...1.5 mm <sup>2</sup>
Connection mode	Screw/clamp connection
Mechanical lifespan	> 100 Mating cycles
Protection class	IP67, (screwed together)
<b>Electrical properties at +20 °C</b>	
Rated voltage	60 V
Current	4 A
Insulation resistance	≥ 10 <sup>8</sup> Ω
<b>Mechanical and chemical properties</b>	
Ambient temperature (fixed)	-40...+85 °C

## Technical data

Approvals

cULus

---