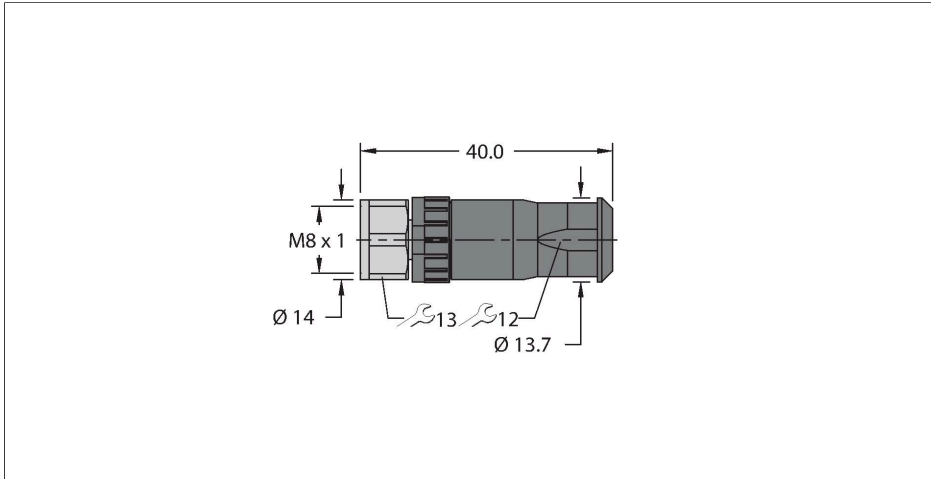


# FW-PRKPM0320-SA-S-0406

## Field-Wireable Connector

### Female Connector M8 × 1/Ø 8 mm, Straight



#### Features



- A-coding
- Metal coupling nut
- Screw-clamp terminal
- 3-pin
- Cable feedthrough: 4.0...5.5 mm
- Terminal capacity: 0.14...0.5 mm<sup>2</sup>
- Approval: cULus

#### Contact assignment



#### Technical data

Type	FW-PRKPM0320-SA-S-0406
ID	100002292
Connector A	Female, M8 × 1, Straight
Number of pins	3
Contacts	CuZn, Gold-plated
Contact carriers	Plastic, PA UL94-V0, Black
Connector body	Plastic, PA6 GF, UL 94, Black
Coupling nut/screw	Brass, CuZn, Nickel-plated
Seal	Plastic
Tightening torque (range)	0.4 ... 0.4 Nm (observe max. torque of mating connector!)
External diameter of the cable	4...6 mm
Core cross-section/Clamping ability	0.14...0.5 mm <sup>2</sup>
Connection mode	Screw/clamp connection
Mechanical lifespan	> 100 Mating cycles
Protection class	IP67, (screwed together)
<b>Electrical properties at +20 °C</b>	
Rated voltage	50 V <sub>AC</sub> /60 V <sub>DC</sub>
Current	4 A
Insulation resistance	≥ 10 <sup>8</sup> Ω
forward resistance	≤ 3 mΩ
<b>Mechanical and chemical properties</b>	
Ambient temperature (fixed)	-40...+85 °C
Approvals	cULus