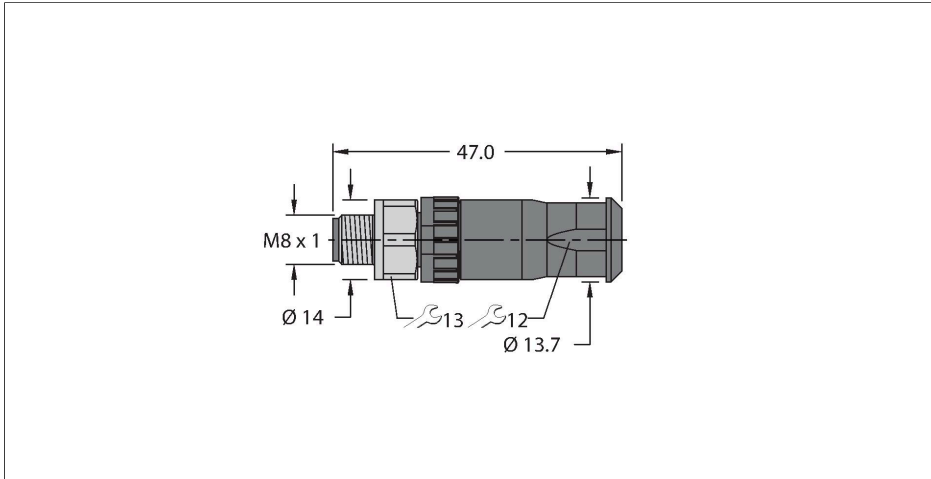


FW-PRSPM0420-SA-S-0406

Field-Wireable Connector

Male Connector M8 × 1/Ø 8 mm, Straight



Features



- A-coding
- Metal retaining screw
- Screw-clamp terminal
- 4-pin
- Cable feedthrough: 4.0...5.5 mm
- Terminal capacity: 0.14...0.5 mm²
- Approval: cULus

Contact assignment



Technical data

Type	FW-PRSPM0420-SA-S-0406
ID	100002295
Connector A	Male, M8 × 1, Straight
Number of pins	4
Contacts	CuZn, Gold-plated
Contact carriers	Plastic, PA UL94-V0, Black
Connector body	Plastic, PA6 GF, UL 94, Black
Coupling nut/screw	Brass, CuZn, Nickel-plated
Seal	Plastic
Tightening torque (range)	0.4 ... 0.4 Nm (observe max. torque of mating connector!)
External diameter of the cable	4...6 mm
Core cross-section/Clamping ability	0.14...0.5 mm ²
Connection mode	Screw/clamp connection
Mechanical lifespan	> 100 Mating cycles
Protection class	IP67, (screwed together)
Electrical properties at +20 °C	
Rated voltage	50 V _{AC} /60 V _{DC}
Current	4 A
Insulation resistance	≥ 10 ⁸ Ω
forward resistance	≤ 3 mΩ
Mechanical and chemical properties	
Ambient temperature (fixed)	-40...+85 °C
Approvals	cULus