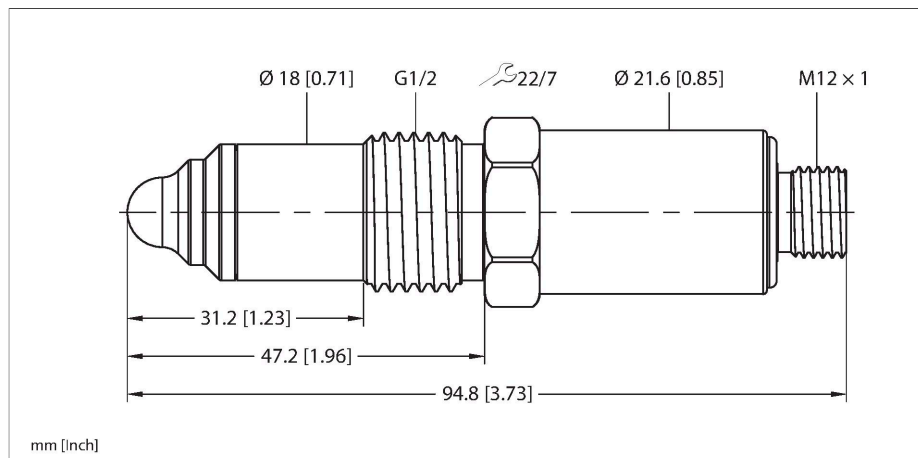


# NCLS-30-UP6X-H1141

## Capacitive Limit Level Sensor



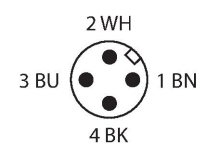
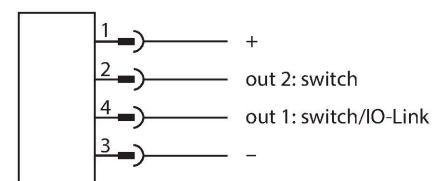
### Technical data

Type	NCLS-30-UP6X-H1141
ID	100004248
Mounting location	any
Installation information	Please use the NCLS limit level sensor only with original Turck process adapters!
Required permittivity ( $\epsilon_r$ )	1.5
Pressure resistance	10 bar
Vacuum resistance	-1 bar
Ambient temperature	-10...+70 °C
Medium temperature	0...+100 °C
Comment on the media temperature	0...+130 °C for < 1 h at an ambient temperature of 40 °C
Storage temperature	-20...+70 °C
CIP/SIP-capable	yes
<b>Electrical data</b>	
Operating voltage	12...32 VDC
	In IO-Link mode
Power consumption	3 W
Switch-on time	< 0.3 s
Response time	< 0.2 s
Switching frequency	≤ 5 Hz
Isolation test voltage	≤ 0.5 kV
Communication protocol	IO-Link
SIO mode-compatible	Yes
Number of digital outputs	2
Output function	4-wire, NO/NC, PNP
Short-circuit protection	yes

### Features

- Media-contacting detection of limit levels in tanks and pipes
- Detection of different substances (liquid, viscous, granular, powder form)
- Hygienic PEEK tip, CIP/SIP compatible
- EHEDG certified (with NCLS-WA1 process adapter)
- Highly visible ring LED
- 12...32 VDC, power consumption: typically 1 W, max. 3 W
- Two digital outputs, separately adjustable as NO/NC
- PNP, NPN or push-pull, switchable
- IO-Link for parameterization/process values
- Process connection G1/2" male thread, hygienic (in combination with TURCK adapters)
- 4-pin connector device, M12 × 1

### Wiring diagram



### Functional principle

Capacitive proximity switches are designed for wear-free detection of metal (electrically conductive) as well as non-metal (not electrically conductive) objects. A key feature

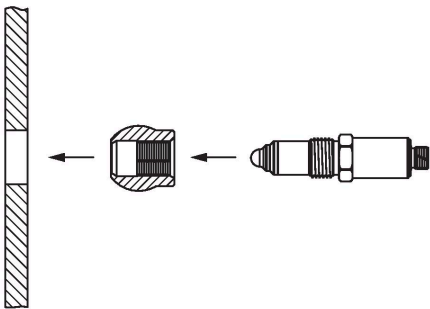
## Technical data

Wire breakage/Reverse polarity protection	yes / Complete
Insulation class	III
<b>Tests/approvals</b>	
Approvals	CE EHEDG
<b>IO-Link</b>	
IO-Link specification	V 1.1
Programming	FDT/DTM
Transmission physics	corresponds to 3-wire physics (PHY2)
Transmission rate	COM 2/38.4 kbps
Process data width	16 bit
Measured value information	14 bit
Switchpoint information	2 bit
Frame type	2.2
Included in the SIDI GSDML	Yes
<b>Mechanical data</b>	
Design	Threaded barrel, G 1/2"
Dimensions	94.8 x 22 x 22 mm
Housing material	Stainless steel, 1.4404 (AISI 316L)
Materials (contact with media)	Plastic, PEEK
Max. tightening torque of housing nut	20 Nm
Process connection	G 1/2" male thread, hygienic
Electrical connection	Connector, M12 x 1
Vibration resistance	2 Hz (1 mm)
Shock resistance	7 g (11 ms)
Protection class	IP67 IP69K
MTTF	1080 years acc. to SN 29500 (Ed. 99) 40 °C
Power-on indication	Ring LED, Green
Switching state	Ring LED, Green, (Reverse of operating voltage indicator)

of the NCLS limit level sensors is the ability to detect and differentiate between various liquids, viscous materials, granular materials and powders by making contact with the media. They are extremely well suited for detecting level limits (max./min.) and changes to the media in tanks and pipelines.

## Mounting instructions

## Product features



Please use the NCLS limit level sensor only with original Turck process adapters!

In principle, the sensor can be installed in any position and any location.

Mounting positions where deposits occur as a result of highly adhesive or viscous media or air pockets must be avoided.

A minimum distance of 15 mm must be maintained between the sensor tip and any adjacent objects (e.g. the wall of a container or pipe).

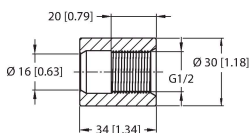
The relative permittivity ( $\epsilon_r$ ) of the medium must be  $>1.5$ .

## Accessories

### NCLS-WA0

100004429

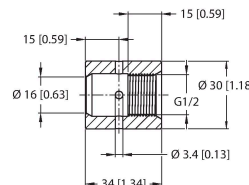
G1/2" cylindrical welding sleeve process adapter without control bore for NCLS capacitive limit level sensors, metallic sealing for hygienic applications, material 316L, max. temperature 140 °C



### NCLS-WA1

100004430

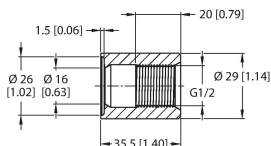
G1/2" cylindrical welding sleeve process adapter with control bore for NCLS capacitive limit level sensors, metallic sealing for hygienic applications, material 316L, max. temperature 140 °C, EHEDG



### NCLS-WA2

100004431

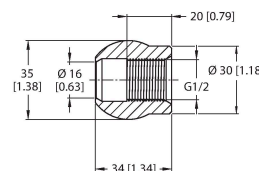
G1/2" weld collar sleeve process adapter without control bore for NCLS capacitive limit level sensors, metallic sealing for hygienic applications, material 316L, max. temperature 140 °C



### NCLS-WA4

100004432

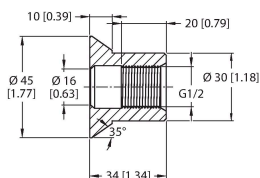
G1/2" ball sleeve process adapter without control bore for NCLS capacitive limit level sensors, metallic sealing for hygienic applications, material 316L, max. temperature 140 °C



### NCLS-WA7

100004433

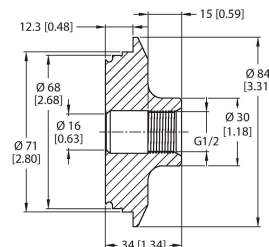
G1/2" welding sleeve process adapter with collar for NCLS capacitive limit level sensors, metallic sealing for hygienic applications, material 316L, max. temperature 140 °C



### NCLS-VA

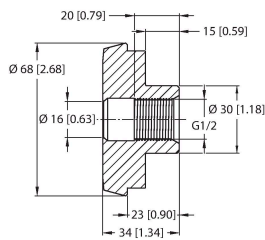
100004434

G1/2" Varivent process adapter DN50 for NCLS capacitive limit level sensors, metallic sealing for hygienic applications, material 316L, max. temperature 140 °C



## NCLS-DF50

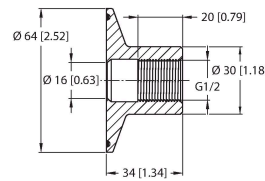
100004435



G1/2" dairy screw connection process adapter DN50 for NCLS capacitive limit level sensors, metallic sealing for hygienic applications, material 316L, max. temperature 140 °C

## NCLS-TC50

100004436



G1/2" triclamp process adapter DN50 for NCLS capacitive limit level sensors, metallic sealing for hygienic applications, material 316L, max. temperature 140 °C

## Accessories

Dimension drawing	Type	ID	
	RKC4.4T-P7X2-2/TEL	6626162	Connection cable, M12 female connector, straight, 4-pin, 2 LEDs, cable length: 2 m, jacket material: PVC, black; cULus approval
	RKC4.4T-P7X2-2/TXL	6626795	Connection cable, M12 female connector, straight, 4-pin, 2 LEDs, cable length: 2 m, jacket material: PUR, black; cULus approval
	RKC4.4T-2/TXL	6627544	Connection cable, M12 female connector, straight, 4-pin, cable length: 2 m, jacket material: PUR, black; stainless steel coupling nut; cULus approval
	RKC4.4T-2/TXL1001	6628825	Connection cable, M12 female connector, straight, 4-pin, cable length: 2 m, protective jacket material: aramid fibers, yellow; temperature peak: 200 °C
	RKH4.4-2/TFE	6934473	Connection cable, M12 female connector, straight, 4-pin, stainless steel coupling nut, cable length: 2 m, jacket material: PVC, gray; temperature range: -25...+80 °C
	RKH4.4-2/TFG	6933086	Connection cable, M12 female connector, straight, 4-pin, stainless steel coupling nut, cable length: 2 m, jacket material: TPE, gray; temperature range: -40...+105 °C

Dimension drawing	Type	ID	
	RKC4.4T-2/TEL	6625013	Connection cable, M12 female connector, straight, 4-pin, cable length: 2 m, jacket material: PVC, black; cULus approval



## Accessories

Dimension drawing	Type	ID	
	USB-2-IOL-0002	6825482	IO-Link Master with integrated USB port

