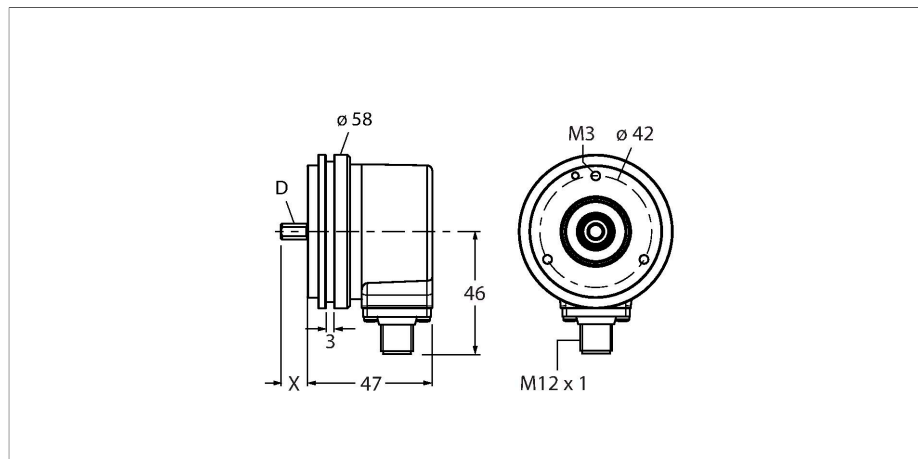


# REI-10S12S-4B360-H1181

## Incremental Encoder

### Industrial Line



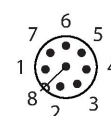
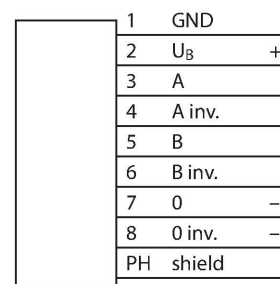
### Features

- Synchro flange, Ø 58 mm
- Solid shaft, Ø 12 mm × 20 mm
- Optical measuring principle
- Shaft material: stainless steel
- Protection class IP67 on housing and shaft side
- -40...+85 °C
- Max. 6000 rpm (continuous operation 3000 rpm)
- 5...30 VDC
- RS422/TTL invertible
- Pulse frequency max. 300 kHz
- M12 × 1 male connector, 8-pin
- 360 pulses per revolution

### Technical data

Type	REI-10S12S-4B360-H1181
ID	100010348
Measuring principle	Optical
<b>General data</b>	
Max. Rotational Speed	6000 rpm
Moment of inertia of the rotor	$1.8 \times 10^{-5} \text{ kgm}^2$
Starting torque	< 0.05 Nm
Output type	Incremental
Resolution, incremental	360 ppr
<b>Electrical data</b>	
Operating voltage	5...30 VDC
No-load current	90 mA
Output current	≤ 20 mA
Short-circuit protection	yes
Wire breakage/Reverse polarity protection	yes
Pulse frequency max.	300 kHz
Signal level high	min. 2.5 V
Signal level low	max. 0.5 V
Output function	RS422/TTL, invertible
<b>Mechanical data</b>	
Design	Solid shaft
Flange type	Synchro flange
Flange diameter	Ø 58 mm
Shaft Type	Solid shaft
Shaft diameter D [mm]	12

### Wiring diagram



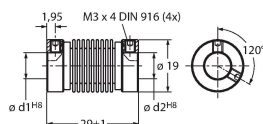
## Technical data

Shaft Length L [mm]	20
Shaft material	Stainless steel
Housing material	Die-cast zinc
Electrical connection	Connector, M12 × 1
	8-pin
Axial shaft load	40 N
Radial shaft load	80 N
<b>Environmental conditions</b>	
Ambient temperature	-40...+85 °C
Vibration resistance (EN 60068-2-6)	300 m/s <sup>2</sup> , 10...2000 Hz
Shock resistance (EN 60068-2-27)	3000 m/s <sup>2</sup> , 6 ms
Protection class	IP67
Protection class shaft	IP67

## Accessories

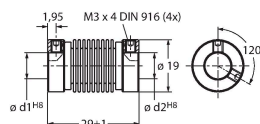
RCS-19-12-12 1545354

Bellows coupling, outer diameter:  
19 mm, bore diameter: 12 mm/12 mm



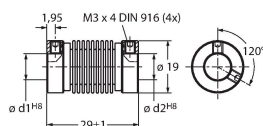
RCS-19-12-10 1545355

Bellows coupling, outer diameter:  
19 mm, bore diameter: 12 mm/10 mm



RCS-19-06-06 1545360

Bellows coupling, outer diameter:  
19 mm, bore diameter: 6 mm/6 mm



## Accessories

Dimension drawing	Type	ID	
	RKC8T-2/TXL	6625142	Connection cable, M12 female connector, straight, 8-pin, cable length: 2 m, jacket material: PUR, black; cULus approval



## Dimension drawing

Type  
WKC8T-2/TXLID  
6625145Connection cable, M12 female  
connector, angled, 8-pin, cable length:  
2 m, jacket material: PUR, black; cULus  
approval