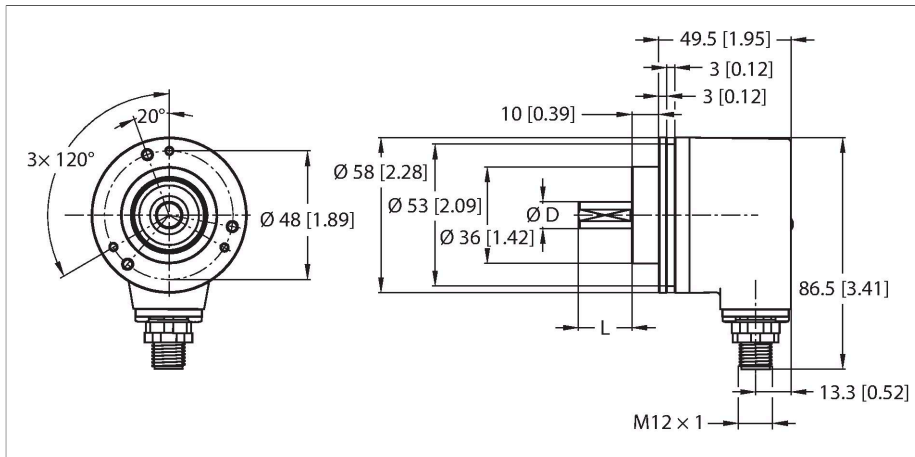


RES-186SA0C-3C13B-H1181

Absolute Rotary Encoder - Single-Turn Industrial Line



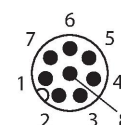
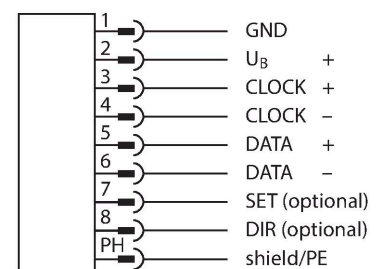
Technical data

Type	RES-186SA0C-3C13B-H1181
ID	100016316
Measuring principle	Optical
General data	
Max. Rotational Speed	8000 rpm
Starting torque	< 0.03 Nm
Measuring range	0...360 °
Absolute accuracy	± 0.015 ° At 25 °C
Output type	Absolute singleturn
Resolution singleturn	13 Bit
Electrical data	
Operating voltage	10...30 VDC
No-load current	45 mA
Output current	≤ 20 mA
Short-circuit protection	yes
Wire breakage/Reverse polarity protection	yes
Signal level high	typ. 3.8 V
Signal level low	typ. 1.3 V (20 mA load)
Communication protocol	SSi
Output function	Gray coded
Mechanical data	
Design	Solid shaft
Flange type	Clamping flange
Flange diameter	Ø 58 mm
Shaft Type	Solid shaft

Features

- Clamping flange, Ø 58 mm
- Solid shaft, Ø 6.35 mm × 22.225 mm
- Optical measuring principle
- Shaft material: stainless steel
- Protection class IP67 on housing and shaft side
- -40...+85 °C
- Max. 8000 rpm (continuous operation 5000 rpm)
- 10...30 VDC
- SSI, gray
- M12 × 1 male, 8-pin
- 360° resolved in 13 bit (8192 positions)

Wiring diagram



Technical data

Shaft diameter D [mm]	6.35
Shaft Length L [mm]	22.225
Shaft material	Stainless steel
Housing material	Die-cast zinc
Electrical connection	Connector, M12 × 1
Axial shaft load	40 N
Radial shaft load	80 N
Environmental conditions	
Ambient temperature	-40...+85 °C
Vibration resistance (EN 60068-2-6)	100 m/s ² , 55...2000 Hz
Shock resistance (EN 60068-2-27)	2500 m/s ² , 6 ms
Protection class	IP67
Protection class shaft	IP67