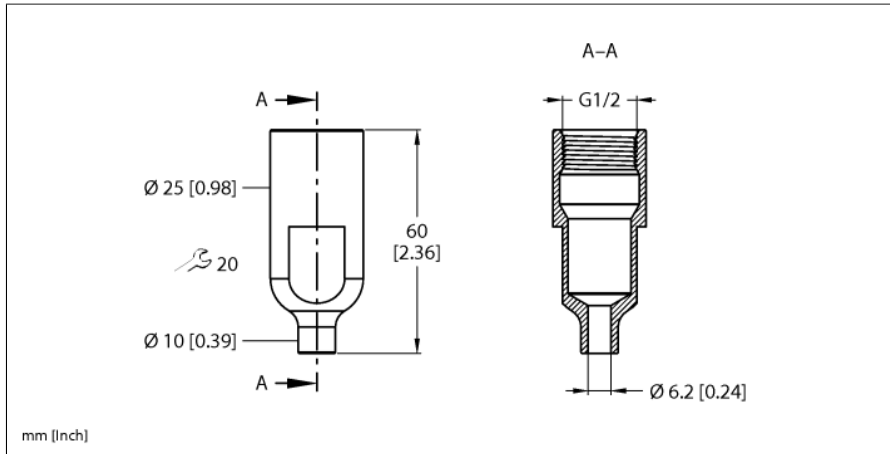


Accessories

Stabilizer

for standard temperature sensor TP206

FAS-6-1.4404



- For the stabilization of 6-mm standard temperature sensor TP206 in processing unit TS720-...

Type	FAS-6-1.4404
ID	100018063
Housing material	Stainless steel, 1.4404 (AISI 316L)

Functional principle

The FAS-6-1.4404 is a coupling fitting for stabilizing the M12 connector for standard sensor TP-206....in case of strong vibrations during application. It is not required for mounting the sensor with processing unit TS720-....