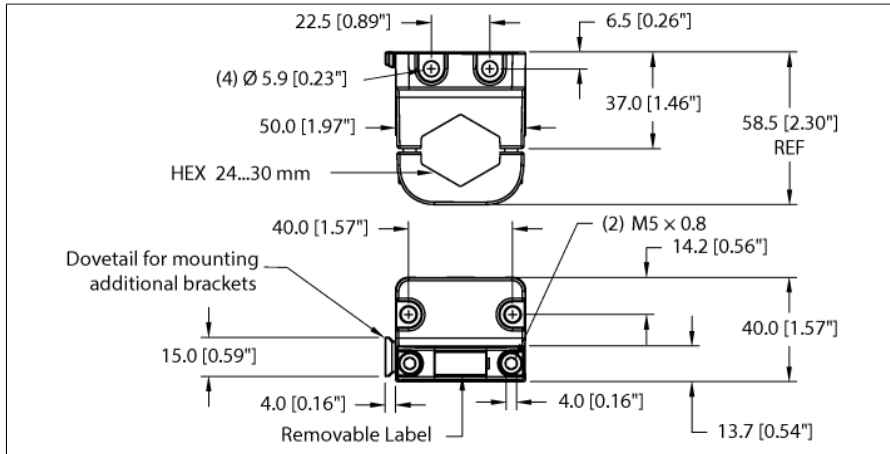


Accessories

Mounting Bracket

For Display Sensors

FAM-30-PA66



Type	FAM-30-PA66
ID	100018384
Housing material	Plastic, PA6-GF30

- For mounting different sensors on walls and surfaces
- Variable wrench size 24–30 mm
- Any number of angles can be connected
- Includes removable labeling plates 20 × 9 mm