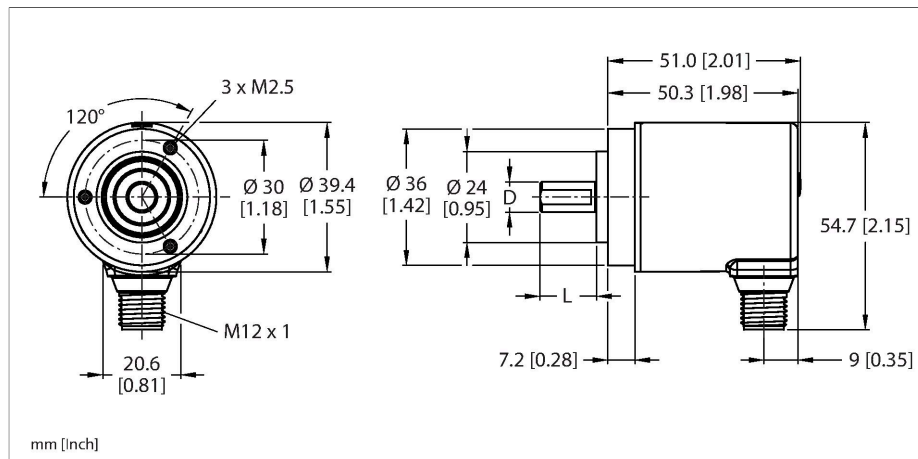


# RES-192S6C-IOL14B-H1141

## Absolute Rotary Encoder - Single-Turn – IO-Link Industrial Line



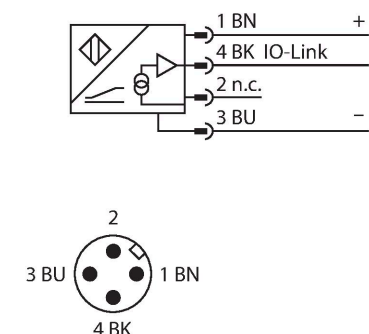
### Technical data

Type	RES-192S6C-IOL14B-H1141
ID	100020141
Measuring principle	Magnetic
<b>General data</b>	
Max. Rotational Speed	4000 rpm
Starting torque	< 0.01 Nm
Measuring range	0...360 °
Repetition accuracy	± 0.2 ° At 25 °C
Absolute accuracy	± 1 ° At 25 °C
Output type	Absolute singleturn
Resolution singleturn	14 Bit
<b>Electrical data</b>	
Operating voltage	18...30 VDC
No-load current	30 mA
Short-circuit protection	yes
Wire breakage/Reverse polarity protection	yes
Communication protocol	IO-Link
IO-Link specification	V 1.1
Programming	FDT/DTM
<b>Mechanical data</b>	
Design	Solid shaft
Flange type	Clamping flange
Flange diameter	Ø 36 mm
Shaft Type	Solid shaft
Shaft diameter D [mm]	6

### Features

- Clamping flange, Ø 36 mm
- Solid shaft, Ø 6 mm × 12.5 mm
- Magnetic measuring principle
- Shaft material: stainless steel
- Protection class IP67 on housing and shaft side
- -40...+85 °C
- Max. 4000 rpm (continuous operation 2000 rpm)
- 18...30 VDC
- M12 × 1 male connector, 8-pin
- 360° resolved in 14 bit (16384 positions)

### Wiring diagram



## Technical data

Shaft Length L [mm]	12.5
Shaft material	Stainless steel
Housing material	Die-cast zinc
Electrical connection	Connector, M12 × 1
Axial shaft load	20 N
Radial shaft load	40 N
<b>Environmental conditions</b>	
Ambient temperature	-40...+85 °C
Vibration resistance (EN 60068-2-6)	300 m/s <sup>2</sup> , 10...2000 Hz
Shock resistance (EN 60068-2-27)	2500 m/s <sup>2</sup> , 6 ms
Protection class	IP67
Protection class shaft	IP67

## Accessories

RCS-19-10-06	1545358	RCS-15-08-06	1545361
Bellows coupling, outer diameter: 19 mm, bore diameter: 10 mm/6 mm		Bellows coupling, outer diameter: 15 mm, bore diameter: 8 mm/6 mm	
RCS-15-06-06	1545362	RCS-19-06-06	1545360
Bellows coupling, outer diameter: 15 mm, bore diameter: 6 mm/6 mm		Bellows coupling, outer diameter: 19 mm, bore diameter: 6 mm/6 mm	

## Accessories

Dimension drawing	Type	ID	
	RA-MW-200-5.5-DK1-6	100038295	Aluminum measuring wheel (cross knurled) for encoders; circumference 0.2 m, width 5.5 mm, D = 6 mm

Dimension drawing	Type	ID	
	RA-MW-200-6.5-PS1-6	100038296	Aluminum measuring wheel (smooth PU) for encoders; circumference 0.2 m, width 6.5 mm, D = 6 mm
	RA-MW-200-5.5-OR1-6	100038298	Aluminum measuring wheel (O-ring) for encoders; circumference 0.2 m, width 5.5 mm, D = 6 mm
	RA-MW-B0-5.5-DK1-6	100038299	Aluminum measuring wheel (cross knurled) for encoders; circumference 6", width 5.5 mm, D = 6 mm
	RA-MW-B0-6.5-PS1-6	100038300	Aluminum measuring wheel (smooth PU) for encoders; circumference 6", width 6.5 mm, D = 6 mm
	RA-MW-B0-5.5-OR1-6	100038301	Aluminum measuring wheel (O-ring) for encoders; circumference 6", width 5.5 mm, D = 6 mm
	RA-SAB-5-24	100038293	Spring arm for small absolute encoders with a 36-mm flange; recommended contact pressure 5 N; maximum contact pressure 20 N