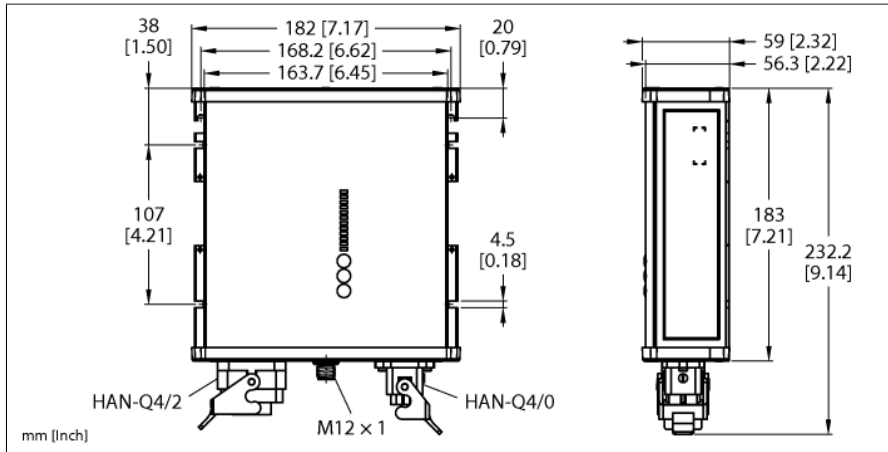


# Smart Power Supply Module in IP67

## 24...28 VDC Output Voltage

### 3-Phase, 25-A Output Current

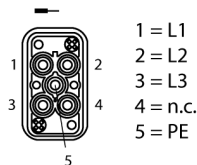
#### PSU67-3P-1H2-1H0-24250



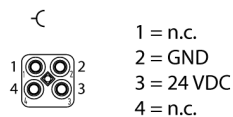
Type	PSU67-3P-1H2-1H0-24250
ID	100028239
Nominal voltage	Universal voltage supply unit
Operating voltage	320...550 VAC
Frequency	50...60 Hz
Power dissipation, typical	≤ 23 W
PFC	0.95
Efficiency	95 %
External fuse	B-6A, C-6A
Internal fuse	No eFuse
Nominal output voltage	24 V
Nominal current	25 A
Output power	600 W (up to +45 °C) 500 W (up to +55 °C) 350 W (up to +70 °C) 1000 W (+55 °C, up to max. 5 sec.) 700 W (+70 °C, up to max. 5 sec.)
Parallel mode	no
Short-circuit behaviour	Current limiting
Approval	CE cULus RoHS SEMI F47
Protection class	IP67
Ambient temperature	-25...+70 °C
Storage temperature	-40...+85 °C
Dimensions	183 x 180.6 x 58.7 mm
Weight	1581 g

- Broad temperature range
- Status LED
- High efficiency, > 95 %
- 3-phase AC input, Han Q4/2
- 24 VDC output, 1 × Han Q4/0
- LED interface and control buttons for maximum flexibility

#### Input assignment Han Q4/2 (XD1)



#### Output assignment Han Q4/0 (XD2)



#### M12 Output-OK Assignment

