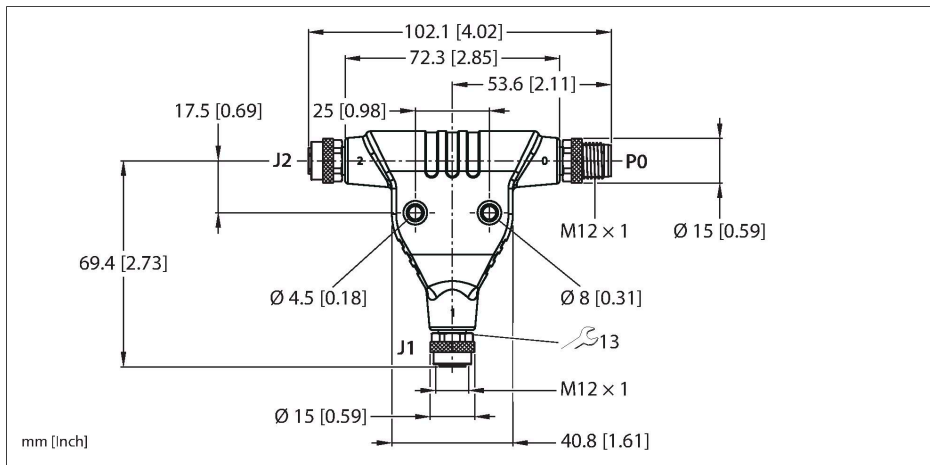


VT2-M12L-M5-2F5

M12 Power Splitters – T-Splitter



Technical data

Type	VT2-M12L-M5-2F5
ID	100028579
Distributed I/O	T-splitter
Housing	Plastic, TPU
Connector A	Male, M12 × 1, L-coded
Design specification	acc. to IEC 61076-2-111
Number of pins	4+FE
Contacts	Brass, CuZn, Gold-plated
Contact carriers	Plastic, PA, Black
Coupling nut/screw	Brass, CuZn, Nickel-plated
Tightening torque	0.8 Nm
Mechanical lifespan	> 100 Mating cycles
Pollution degree	2
Protection class	IP65, IP67, IP68
Connector B	Female, M12 × 1, L-coded
Design specification	acc. to IEC 61076-2-111
Number of Pins	4+FE
Contacts	Brass, CuZn, Gold-plated
Contact carriers	Plastic, PA, Black
Coupling nut/retaining screw	Brass, CuZn, Nickel-plated
Seal	O-ring, Plastic, FKM/FPM
Tightening torque	0.8 Nm
Mechanical life	> 100 Mating cycles
Pollution degree	2
Protection class	IP65, IP67, IP68
Electrical properties at +20 °C	
Rated voltage	63 VDC

Features



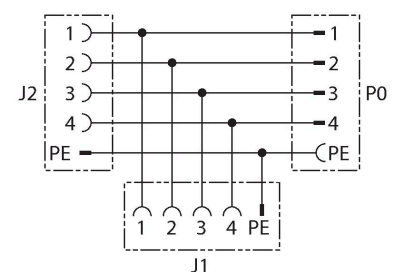
- M12-Stecker, 2x M12-Kupplung
- 4-polig + FE, L-codiert
- UL-Zulassung
- CE- und RoHS-konform
- Schutzart: IP65, IP67, IP68

Contact assignment

Connector A (P0) Connector B (J1-2)



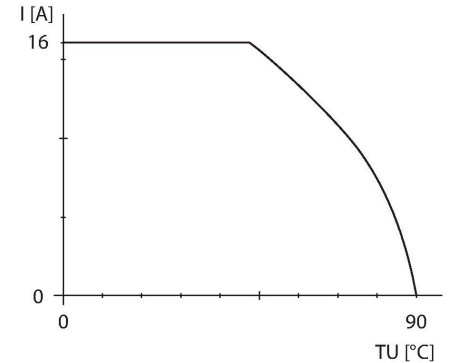
Diagram



Technical data

Current	16 A
Mechanical and chemical properties	
Ambient temperature (fixed)	-30...+90 °C
Approvals	cULus
Note	
CAUTION: RISK OF ELECTRIC SHOCK! DO NOT DISCONNECT UNDER LOAD!	
- We reserve the right to make technical modifications without prior notice.	

Derating Curve



Accessories

Dimension drawing	Type	ID	
	TORQUE-WRENCH-SET-BUS	6936171	Torque wrench set; grip with adjustable torque 0.4 to 1.0 Nm; torque wrench set, fork wrench for M8 (SW9), fork wrench for M12 (SW13), fork wrench for M12 (SW14)
	RKP56PLB-2-RSP56PLB/TXG	100003327	Extension cable, M12 female connector, straight, 4-pin + FE, L-coded; M12 male connector, straight, 4-pin + FE, L-coded; cable length: 2 m, jacket material: PVC, gray
	FW-ERKPM0514-PL-S-0813	100008139	Field-wireable female connector, M12 Power, L-coded, straight, 4-pin + FE, screw terminal connection, cable feedthrough 8.0 to 13 mm, core cross-section/terminal capacity 1.5 to 2.5 mm², plastic housing, metal retaining screw
	FW-ERSPM0514-PL-S-0813	100008140	Field-wireable male connector, M12 Power, L-coded, straight, 4-pin + FE, screw terminal connection, cable feedthrough 8.0 to 13 mm, core cross-section/terminal capacity 1.5 to 2.5 mm², plastic housing, metal retaining screw