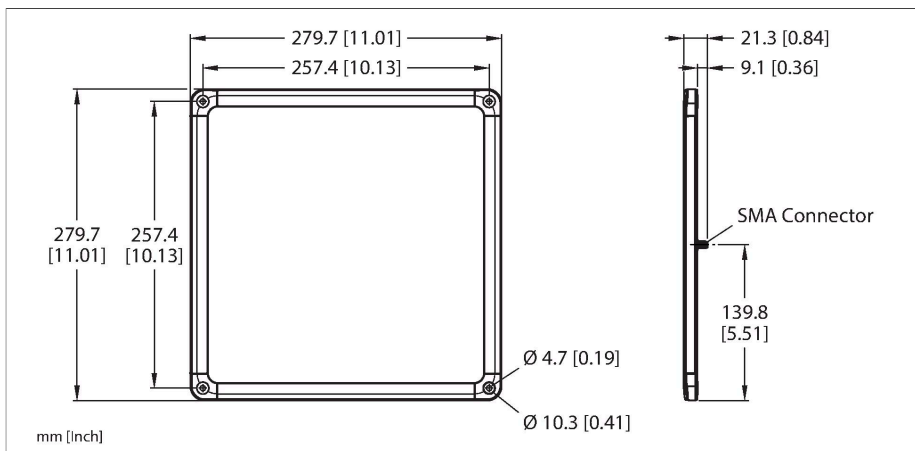


TN-UHF-ANT-Q280-ETSI

Accessories – External Passive UHF Antenna



Technical data

Type	TN-UHF-ANT-Q280-ETSI
ID no.	100028601
Region (UHF)	Europe, India, Turkey (865...868 MHz)
Antenna polarization	RHCP
Antenna gain ETSI	6.5 dBc
Antenna HPBW	60°
Ambient temperature	-20...+55 °C
Storage temperature	-30...+65 °C
Dimensions	280 x 280 x 12.2 mm
Housing material	Polycarbonate/ABS
Protection class	IP65
Electrical connection	SMA
Input impedance	50 Ohm
Packaging unit	1

Features

Functional principle


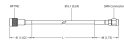



The UHF read/write heads form a transmission zone, the size of which may vary depending on the combination of read/write head and tag used. Attainable distances may vary due to component tolerances, mounting conditions, ambient conditions and material qualities, especially when mounted in metal. Testing of the application under real operating conditions is therefore essential, especially with on-the-fly reading and writing!

Accessories

TN-UHF-ACCSY-Q280-VESA100	100028605	TN-UHF-ACCSY-VESA100-MOUNT	100029071
		<p>Mounting bracket with VESA100 pins for TN-UHF-ANT-Q280... antennas</p> <p>VESA100 bracket</p>	

Accessories

Dimension drawing	Type	ID no.	
	TN-UHF-CBL-HF240-RPTNC-1-SMA	100028191	HF240 coaxial cable, length 1 m
	TN-UHF-CBL-HF240-RPTNC-2-SMA	100028192	HF240 coaxial cable, length 2 m

Dimension drawing	Type	ID no.	
	TN-UHF-CBL-HF240-RPTNC-4-SMA	100028193	HF240 coaxial cable, length 4 m
	TN-UHF-CBL-HF240-RPTNC-6-SMA	100028194	HF240 coaxial cable, length 6 m
	TN-UHF-CBL-HF240-RPTNC-8-SMA	100028195	HF240 coaxial cable, length 8 m
	TN-UHF-CBL-HF240-RPTNC-10-SMA	100028196	HF240 coaxial cable, length 10 m
	TN-UHF-CBL-HF240-RPTNC-12-SMA	100028197	HF240 coaxial cable, length 12 m