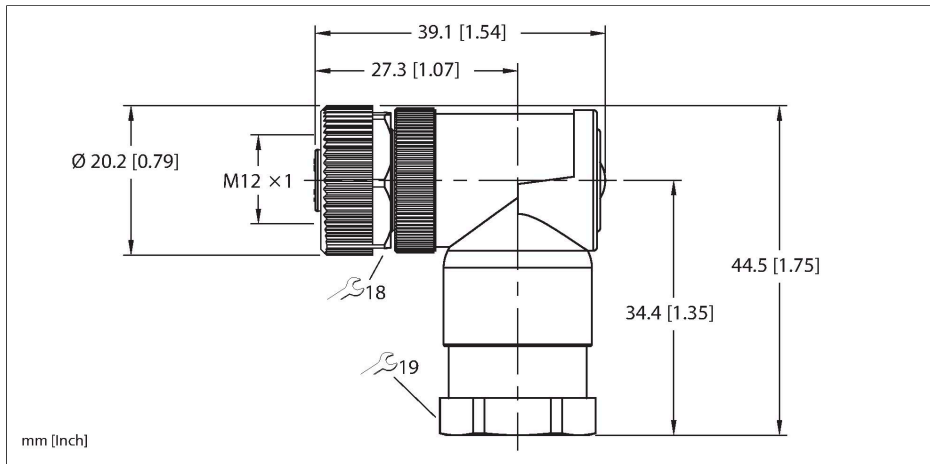


# FW-EWKPM0414-PS-S-0810

## Field-Wireable Connector – M12 Power Female Connector M12 × 1, Angled

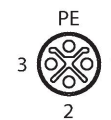


### Features



- S coding
- Metal coupling nut
- Screw-clamp terminal
- 4-pin (3+PE)
- Cable feedthrough: 8.0...10.0 mm
- Terminal capacity:
  - Max. 1.5 mm<sup>2</sup> or 16 AWG (with cable end sleeve)
  - Max. 2.5 mm<sup>2</sup> or 14 AWG (without cable end sleeve)

### Contact assignment



### Technical data

Type	FW-EWKPM0414-PS-S-0810
ID	100036620
Connector A	Female, M12 × 1, Angled, S-coded
Number of pins	3+PE
Contacts	CuZn, Gold-plated
Contact carriers	Plastic, PA, Black
Connector body	Plastic, Black
Coupling nut/screw	Die-cast Zinc, GD-Zn, Nickel-plated
Seal	Plastic, FPM/FKM
External diameter of the cable	8...10 mm
Core cross-section/Clamping ability	0.75...2.5 mm <sup>2</sup>
Connection mode	Screw/clamp connection
Mechanical lifespan	> 100 Mating cycles
Protection class	IP67, (screwed together)
<b>Electrical properties at +20 °C</b>	
Rated voltage	630 V
Current	12 A
<b>Mechanical and chemical properties</b>	
Ambient temperature (fixed)	-40...+85 °C

## Derating Curve

