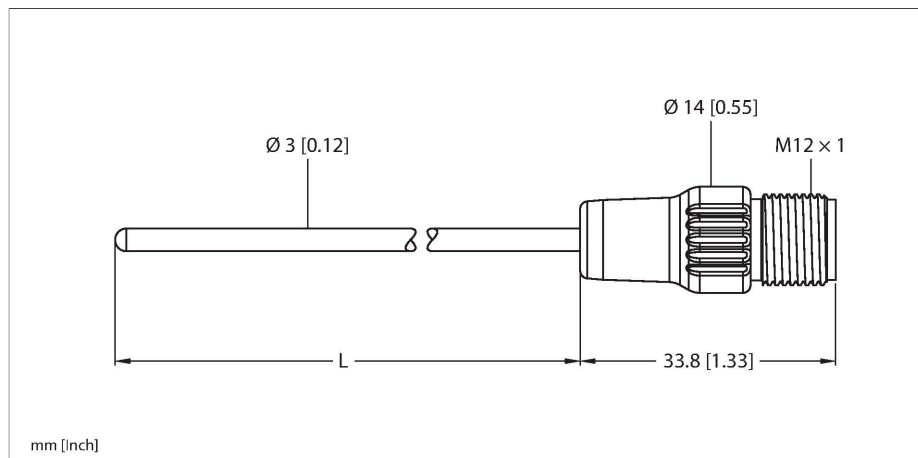


TP-203KK1-CF-H1141-L150

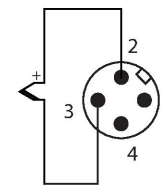
Temperature Detection – Probe



Features

- Thermocouple acc. to DIN EN 60584
- Resistant to vibrations and shocks
- Can be connected to TS720, IM34 or IME-TI
- Max. temperature connector: 120 °C
- 2-wire technology
- Process connection: Compression fitting
- Bendable probe (min. bending radius: 3 × outside diameter)

Wiring diagram



Technical data

Type	TP-203KK1-CF-H1141-L150
ID	100045292
Temperature range	
Measuring range	-40...1100 °C
Measuring range	-40...2012 °F
Accuracy	Class 1
Measuring element	Thermocouple type K, DIN EN 60584
Immersion depth (L)	150 mm
Output function	2-wire
Housing material	Metal/plastic, Inconel 600/Nylon
Process connection	For compression fittings, thermowell or direct mounting
Electrical connection	Connector, M12 × 1
Protection class	IP67
Ambient temperature	-40...+120 °C
Storage temperature	-40...+85 °C
Reference conditions acc. to IEC 61298-1	
Temperature	15...+25 °C
Atmospheric pressure	860...1060 hPa abs.
Humidity	45...75 % rel.
Auxiliary power	24 VDC
Technical data	
Type	TP-203KK1-CF-H1141-L150
ID	100045292
Temperature range	
Measuring range	-40...1100 °C

Functional principle

Thermocouples are used for the detection and monitoring of temperatures to optimize and control a process. Typical applications are in machine and plant construction as well as in the process industry. The core element of the temperature probe is a pair of metallic conductors that are made of different materials and connected at one end. Due to the thermoelectric effect, the thermocouple provides a temperature-dependent voltage.

Technical data

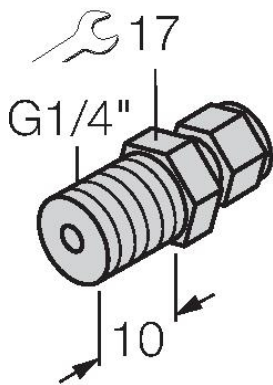
Measuring range	-40...2012 °F
Accuracy	Class 1
Measuring element	Thermocouple type K, DIN EN 60584
Immersion depth (L)	150 mm
Protection type and class	IP67
Output function	2-wire
Ambient conditions	
Ambient temperature	-40...+120 °C
Storage temperature	-40...+85 °C
Mechanical data	
Housing material	Metal/plastic, Inconel 600/Nylon
Sensor material	Metal, Inconel 600
Process connection	For compression fittings, thermowell or direct mounting
Electrical connection	Connector, M12 × 1
Reference conditions acc. to IEC 61298-1	
Temperature	15...+25 °C
Atmospheric pressure	860...1060 hPa abs.
Humidity	45...75 % rel.
Auxiliary power	24 VDC

Accessories

<p>CF-M-3-G1/8-A4</p>	<p>9910405</p> <p>Compression fitting for direct mounting of temperature sensors; sensor diameter 3 mm; process connection G1/8" male thread</p>	<p>CF-M-3-N1/8-A4</p>	<p>9910406</p> <p>Compression fitting for direct mounting of temperature sensors; sensor diameter 6 mm; process connection 1/8" NPT male thread</p>
-----------------------	--	-----------------------	---

CF-M-3-G1/4-A4

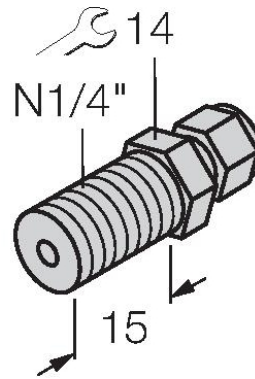
9910407



Compression fitting for direct mounting of temperature sensors; sensor diameter 3 mm; process connection G1/4" male thread

CF-M-3-N1/4-A4

9910408



Compression fitting for direct mounting of temperature sensors; sensor diameter 3 mm; process connection 1/4" NPT male thread

Accessories

Dimension drawing	Type	ID	
	RK4.217T-2-RS4.217T/TS7198	100033104	Thermocouple cable, type K — Extension cable, M12 female connector, straight, 2-pin to M12 male connector, straight, 2-pin; cable length: 2 m, jacket material: TPE, green
	RK4.217T-5-RS4.217T/TS7198	100033105	Thermocouple cable, type K — Extension cable, M12 female connector, straight, 2-pin to M12 male connector, straight, 2-pin; cable length: 5 m, jacket material: TPE, green
	RK4.217T-7-RS4.217T/TS7198	100033107	Thermocouple cable, type K — Extension cable, M12 female connector, straight, 2-pin to M12 male connector, straight, 2-pin; cable length: 7 m, jacket material: TPE, green