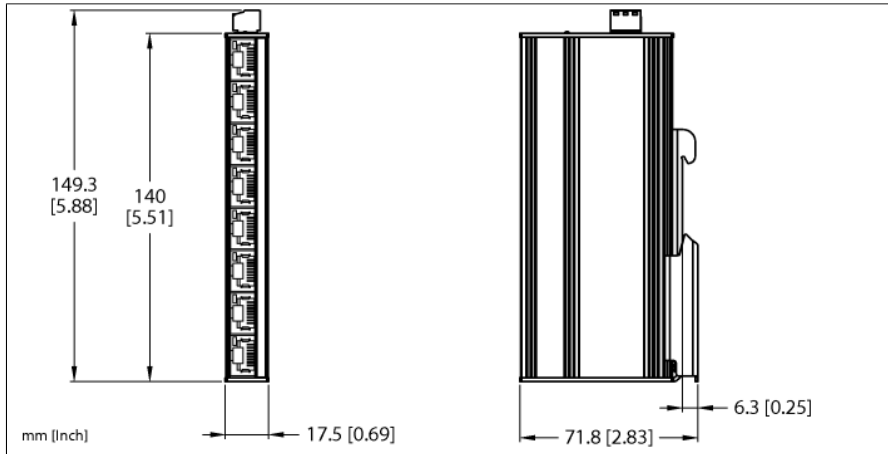


Unmanaged Ethernet Switch

8 × 100-Mbit Ports

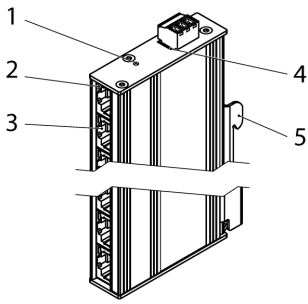
TNIC-UX-8FE



Type	TNIC-UX-8FE
ID	100049176
Supply	
Supply voltage	24 VDC
Admissible range	6...36 VDC
Voltage supply connection	Pluggable screw terminal strip
Operating current	At 24 VDC: min. 20 mA; max. 60 mA
Electrical isolation	Galvanic isolation of power supply, Ethernet, housing Voltage resistant up to 0.75 kVDC
System data	
Transmission rate Ethernet	10/100 Mbps
Connection technology Ethernet	8 × RJ45
Frame forwarding	store and forward
Switch interface	
10/100-Mbit ports	8
802.3q compliance	Yes
802.3u compliance	Yes
802.3x compliance	Yes
Auto-crossing (802.3)	Yes
Auto-negotiation (802.3)	Yes
Auto-polarity (802.3)	Yes
Flow control (802.3X)	Yes
Jumbo frames	No
Multicasts	Yes
Multiple queues per port	Yes, max. 4
Standard/Directive conformity	
Approvals and certificates	CE and UKCA UV resistant acc. to DIN EN ISO 4892-2A (2013)
UL Certificate	cULus LISTED 21 W2, encl. Type 1 IND.CONT.EQ.

- Suited for industrial Ethernet fieldbus networks (PROFINET, Ethernet/IP, Modbus TCP, CC-Link IE FB, ...)
- PROFINET compatible: LLDP blocking, prioritization according to IEEE 802.1Q with VLAN priority tag and multiple queues
- 8 × RJ45, 100 Mbps Ethernet
- Aluminum housing
- Protection class IP30
- 3-pin, pluggable screw connection
- Power supply, Ethernet, housing galvanically isolated

General Information	
Dimensions (W x L x H)	17.5 x 66 x 140 mm
Ambient temperature	-40...+70 °C
Storage temperature	-40...+85 °C
Relative humidity	0...95 %, no condensation
Altitude	Max. 2000 m
Protection class	IP30
MTTF	260 years acc. to SN 29500 (Ed. 99) 20 °C
Housing material	Anodized aluminum, stainless steel
Halogen-free	yes
Mounting	35-mm DIN rail

**Note**

- 1 PWR: LED Power
- 2 L/A: LED 10/100 Mbps
- 3 XF1–XF8: Ethernet interface
- 4 XD: power supply
- 5 Bracket for DIN rail mounting

Power supply