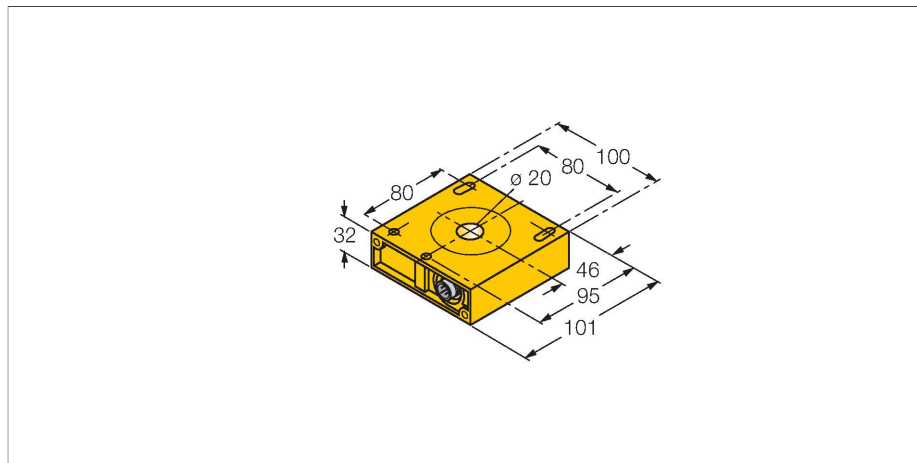


NI20R- Inductive Sensor – Ring Probe



Features

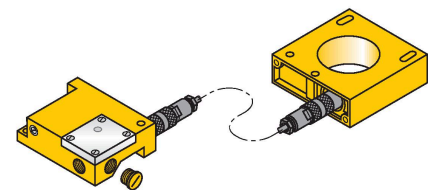
- Rectangular, height 32 mm
- Plastic, ABS
- Modular mounting with the S32SR-AP44X-S1131 or S32SR-VP44X switching amplifier

Functional principle

Inductive sensors detect metal objects contactless and wear-free. For this purpose they use a high-frequency electromagnetic AC field that interacts with the target. Inductive ring sensors generate this field through an LC resonant circuit. The target acts as the coil core.

Technical data

Type	NI20R-
ID	1410001
General data	
Inside ring diameter D	20 mm
Steel wire diameter (St37)	≥ 0.4 mm
pulse stop	≥ 5 ms
Pulse duration at the output	≥ 100 ms ± 20 %
Electrical data	
Operating voltage U_B	10...55 VDC
Mechanical data	
Design	Ring probe, S32
Dimensions	95 x 100 x 32 mm
Housing material	Plastic, ABS
Coil body	plastic, ABS
Environmental conditions	
Ambient temperature	-25...+70 °C
Protection class	IP65



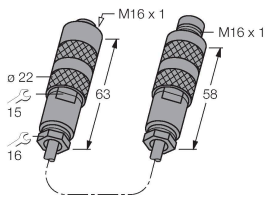
Mounting instructions

Mounting instructions/Description		
	Distance D	150 mm
	Distance W	150 mm
	Distance S	150 mm
	Distance G	150 mm

Accessories

ADAPTER CABLE RING 1.6M

14306



Adapter cable enables separate mounting of ring probe and switching amplifier; coax cable: RG58 C/U 50 Ohm