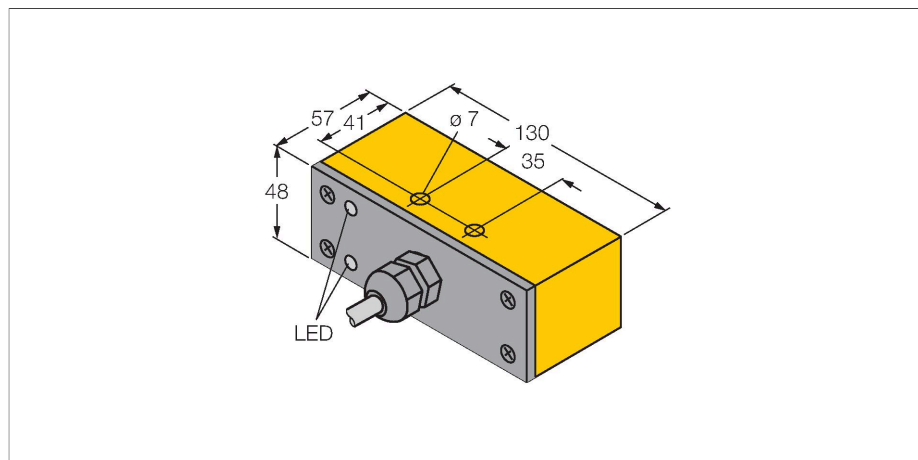


NI30-Q130-VN4X2

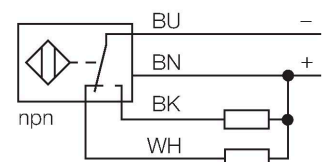
Inductive Sensor



Features

- Rectangular, height 48 mm
- Active face in front
- Plastic, PBT
- DC 4-wire, 10...65 VDC
- Changeover contact, NPN output
- Cable connection

Wiring diagram



Functional principle

Inductive sensors detect metal objects contactless and wear-free. For this, they use a high-frequency electromagnetic AC field that interacts with the target. Inductive sensors generate this field via an RLC circuit with a ferrite coil.

Technical data

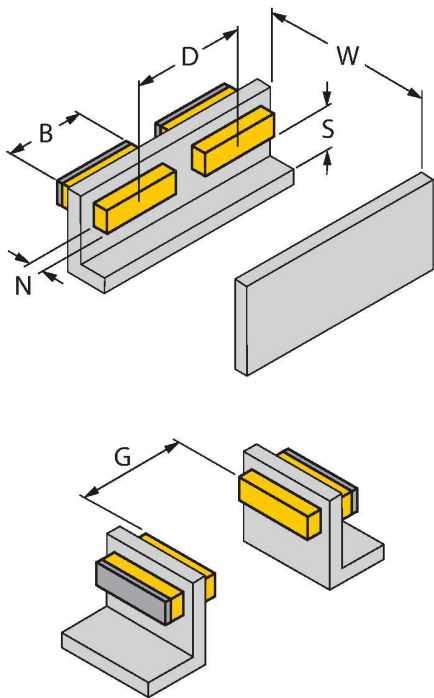
Type	NI30-Q130-VN4X2
ID	15178
General data	
Rated switching distance	30 mm
Mounting conditions	Non-flush
Secured operating distance	$\leq (0.81 \times S_n)$ mm
Correction factors	St37 = 1; Al = 0.3; stainless steel = 0.7; Ms = 0.4
Repeat accuracy	≤ 2 % of full scale
Temperature drift	$\leq \pm 10$ %
Hysteresis	3...15 %
Electrical data	
Operating voltage U_B	10...65 VDC
Ripple U_{ss}	≤ 10 % U_{Bmax}
DC rated operating current I_o	≤ 200 mA
No-load current	≤ 15 mA
Residual current	≤ 0.1 mA
Isolation test voltage	0.5 kV
Short-circuit protection	yes/Cyclic
Voltage drop at I_o	≤ 1.8 V
Wire break/reverse polarity protection	yes/Complete
Output function	4-wire, Complementary contact, NPN
Switching frequency	0.06 kHz
Mechanical data	
Design	Rectangular, Q130
Dimensions	130 x 57 x 48 mm
Housing material	Plastic, PBT

Technical data

Active area material	Plastic, PBT
Electrical connection	Cable
Cable quality	Ø 5.2 mm, Gray, LifYY, PVC, 2 m
Core cross-section	4 x 0.34 mm ²
Environmental conditions	
Ambient temperature	-25...+70 °C
Vibration resistance	55 Hz (1 mm)
Shock resistance	30 g (11 ms)
Protection class	IP67
MTTF	2283 years acc. to SN 29500 (Ed. 99) 40 °C
Power-on indication	LED, Green
Switching state	LED, Yellow

Mounting instructions

Mounting instructions/Description



Distance D	180 mm
------------	--------

Distance W	3 x Sn
------------	--------

Distance S	1.5 x B
------------	---------

Distance G	6 x Sn
------------	--------

Distance N	2 x Sn
------------	--------

Width active area	130 mm
B	

Flush mounting of the sensor in metal.