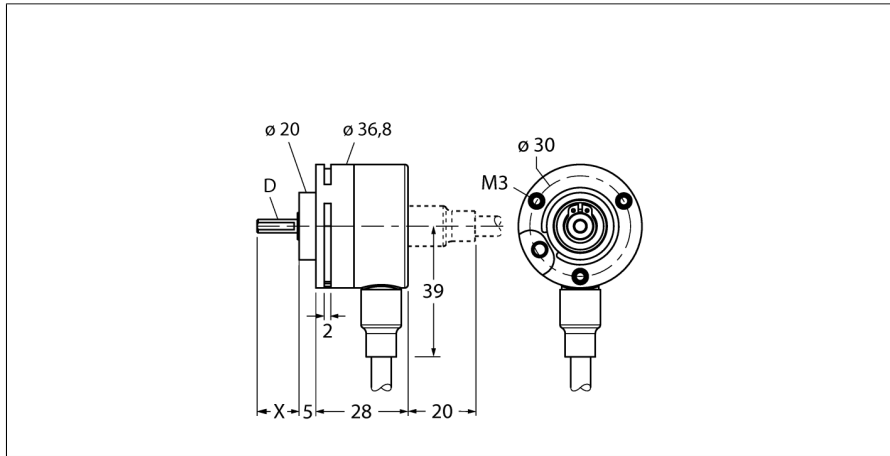


# Incremental Encoder Industrial Line RI-08S6S-2F1000-C 1M



- Synchro flange, Ø 36.8 mm
- Solid shaft, Ø 6 mm × 12.5 mm
- Optical measuring principle
- Shaft material: stainless steel
- Protection class IP65 on shaft side
- -20 ...+70 °C (supply voltage > 15 VDC: max. +55 °C)
- Max. 6000 rpm
- 5...30 VDC
- Cable connection, 8-pin
- Push-pull, with inversion
- Pulse frequency max. 250 kHz
- 1000 pulses per revolution

Type	RI-08S6S-2F1000-C 1M
ID	1544061
Measuring principle	Optical
<b>General data</b>	
Max. rotational speed	6000 rpm
Moment of inertia of the rotor	0.4 × 10 <sup>-6</sup> kgm <sup>2</sup>
Starting torque	< 0.007 Nm
Output type	Incremental
Resolution incremental	1000 ppr
<b>Electrical data</b>	
Operating voltage U <sub>s</sub>	5...30 VDC
Output current	≤ 20 mA
Short-circuit protection	yes
Pulse frequency max.	250 kHz
Signal level high	min. U <sub>s</sub> - 2 V
Signal level low	max. 0.5 V
Output function	8-wire, Push-Pull/HTL, invertable
<b>Mechanical data</b>	
Flange type	without fixing clamp
Flange diameter	Ø 36.8 mm
Shaft Type	Solid shaft
Shaft diameter D (mm)	6 mm
Shaft Length L [mm]	12.5 mm
Shaft material	Stainless steel
Housing material	Plastic
Electrical connection	Cable
	radial
cable length	1 m
Axial shaft load	10 N
Radial shaft load	20 N

WH	GND
BN	U <sub>B</sub> +
GN	A
YE	A inv.
GY	B
PK	B inv.
BU	0
RD	0 inv.

Environmental conditions	
Ambient temperature	-20...+70 °C
Vibration resistance (EN 60068-2-6)	100 m/s <sup>2</sup> , 10...2000 Hz
Shock resistance (EN 60068-2-27)	1000 m/s <sup>2</sup> , 6 ms
Protection class housing	IP67
Protection class shaft	IP65