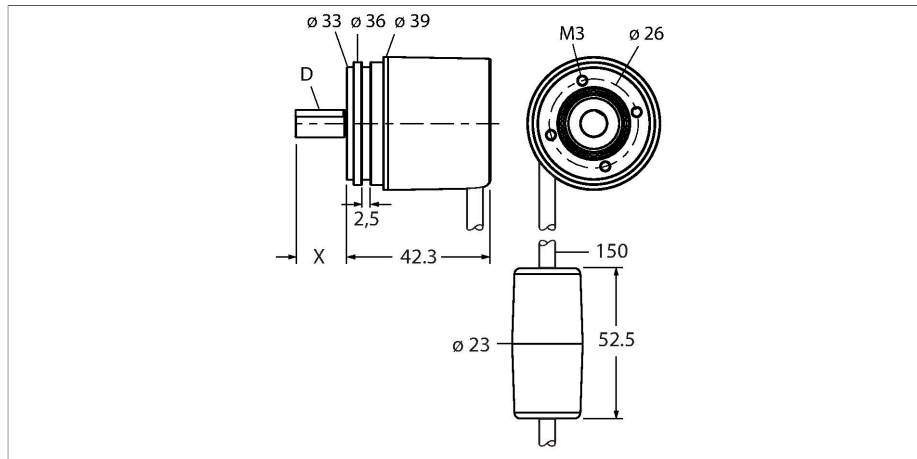


# RM-46S8S-3C24B-CT 1M

## Absolute Rotary Encoder - Multiturn

### Industrial Line



### Features

- Synchro flange, Ø 36 mm
- Solid shaft, Ø 8 mm × 15 mm
- Optical measuring principle
- Shaft material: stainless steel
- Protection class IP67 on shaft side
- -40...+85 °C
- Max. 10000 rpm (continuous operation 8000 rpm)
- 10...30 VDC
- SSI, gray
- Cable connection, 8-pin
- Singleturn, 12-bit resolution
- Multiturn, 12-bit resolution

### Technical data

<b>Type</b>	RM-46S8S-3C24B-CT 1M
Ident. no.	1544521
<b>Measuring principle</b>	Photoelectric
Max. Rotational Speed	10000 rpm
Starting torque	< 0.01 Nm
Ambient temperature	-40...+85 °C
Operating voltage	10...30 VDC
No-load current	≤ 30 mA
Output current	≤ 30 mA
Short-circuit protection	yes
Wire breakage/Reverse polarity protection	yes
Communication protocol	SSI
Output function	8-wire, Gray coded
Output type	absolute multiturn
Resolution single-turn	12 Bit
Resolution multiturn	12 Bit
Signal level high	typ. 3.8 V
Signal level low	typ. 1.3 V
<b>Design</b>	Solid shaft
Flange type	Synchro flange
Flange diameter	Ø 36 mm
Shaft Type	Solid shaft
Shaft diameter D (mm)	8
Shaft length X	15 mm
Shaft material	Stainless steel
Housing material	Die-cast zinc

### Wiring diagram

	WH	GND	
	BN	U <sub>B</sub>	+
	GN	C	+
	YE	C	-
	GY	D	+
	PK	D	-
	BU	SET	
	RD	DIR	
	VT	STAT	
	PE	shield	

## Technical data

Electrical connection	Cable
	tangential
cable length	1 m
Axial shaft load	20 N
Radial shaft load	40 N
Vibration resistance (EN 60068-2-6)	100 m/s <sup>2</sup> , 55...2000 Hz
Shock resistance (EN 60068-2-27)	2500 m/s <sup>2</sup> , 6 ms
Protection class housing	IP67
Protection class shaft	IP67

Signal	Gnd	+U <sub>b</sub>	C+	C-	D+	D-	SET	DIR	STAT
Core color	WH	BN	GN	YE	GY	PK	BU	RD	VT
Signal	PE	-	-	-	-	-	-	-	-
Core color	Shield	-	-	-	-	-	-	-	-