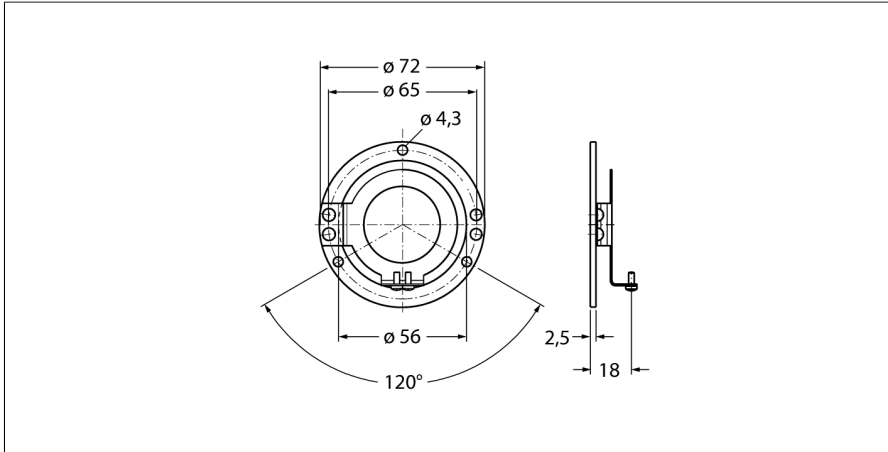


Accessories

Stator Coupling

For Hollow Shaft Encoders

RME-1



- Stator coupling, reference diameter 65 mm
- Laterally mounted at the encoder flange
- For highly dynamic, standard applications with axial and radial play
- Material: stainless steel

Type	RME-1
ID	1544612
Housing material	Stainless steel