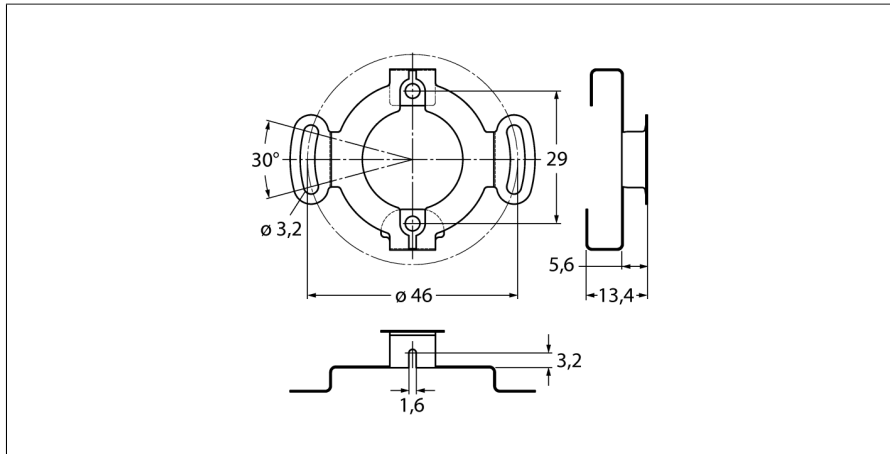


Accessories

Stator Coupling

For Hollow Shaft Encoders

RME-3



- Stator coupling, reference diameter 46 mm
- Laterally mounted at the encoder flange
- For highly dynamic applications with axial and radial play
- Material: stainless steel

Type	RME-3
ID	1544614
Housing material	Stainless steel