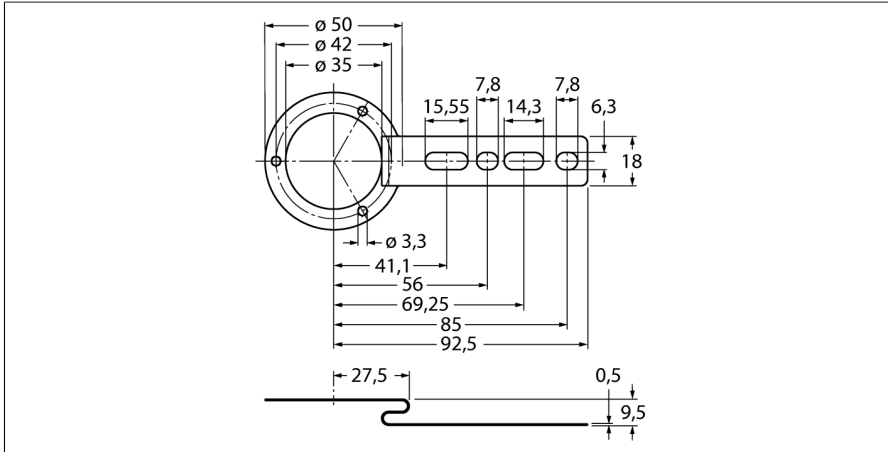


Accessories

Mounting Panel

For Hollow Shaft Encoders

RME-4



- Mounting panel, reference diameter 80... 170 mm
- Long version, flexible
- For low dynamic applications with axial and radial play
- Material: stainless steel

Type	RME-4
ID	1544615
Housing material	Stainless steel