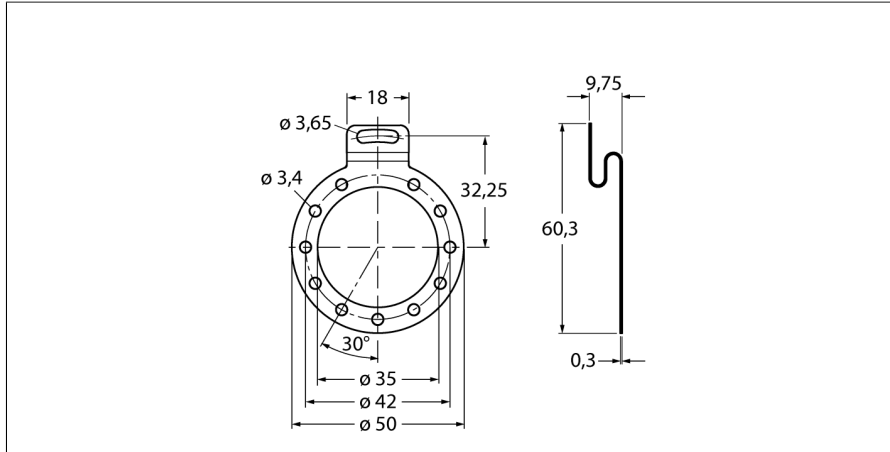


Accessories

Mounting Panel

For Hollow Shaft Encoders

RME-9



- Mounting panel, flexible
- Short version, reference diameter 64.5 mm
- For low dynamic applications with axial and radial play
- Material: stainless steel

Type	RME-9
ID	1544620
Housing material	Stainless steel