

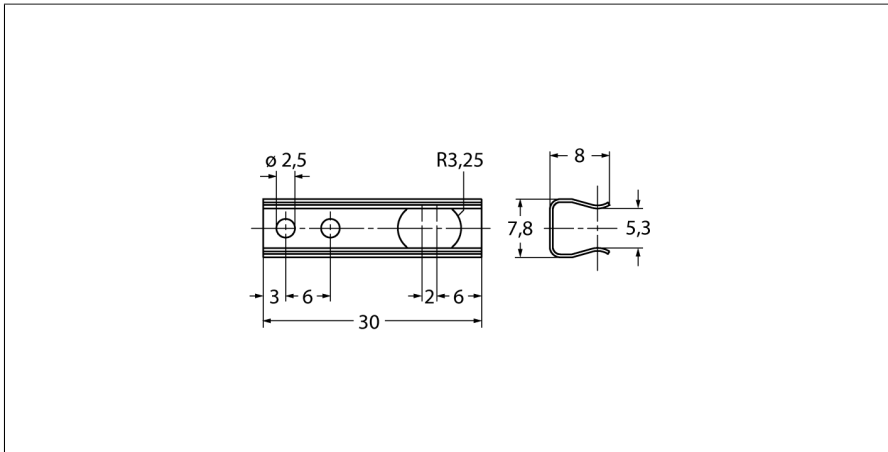
# Accessories

## Mounting Element

### For Hollow Shaft Encoders

#### RME-10

- Mounting Element
- Long version, reference diameter 110 mm
- For applications with high axial play
- Material: stainless steel



Type	RME-10
ID	1544621
Housing material	Stainless steel