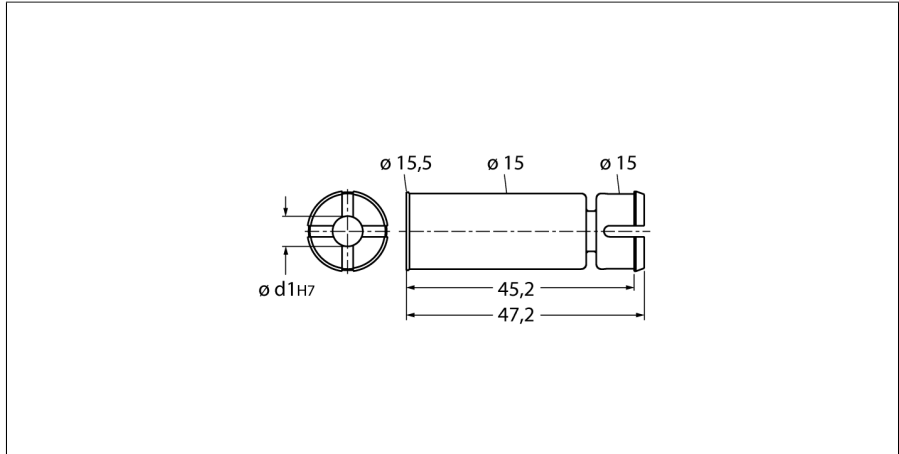


# Accessories

## Inlay

### For Hollow Shaft Encoders

#### RSA-1



- Inlay for hollow shaft encoders  $\varnothing 15\text{mm}$
- Insulating the encoder thermally and electrically
- Reducing the diameter of the hollow shaft to  $\varnothing 6\text{ mm}$
- Material: plastic
- Temperature range  $-40\dots+115\text{ }^{\circ}\text{C}$

Type	RSA-1
ID	1544665
Housing material	Plastic