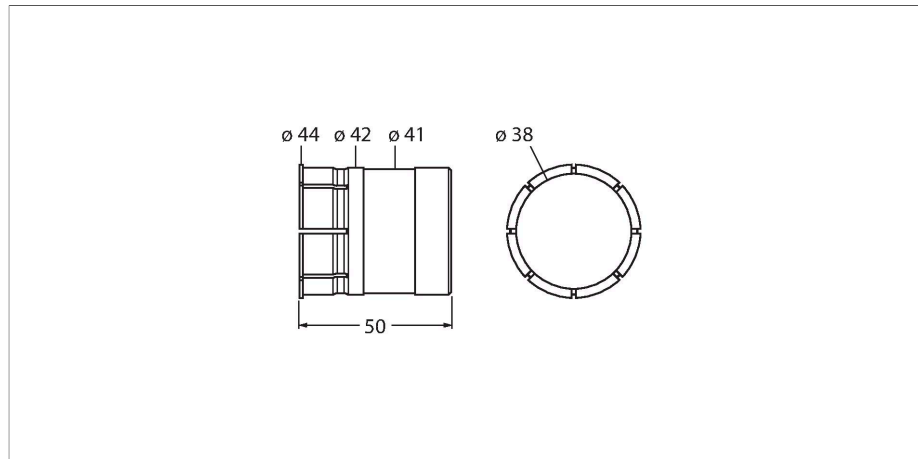


RSA-7

Accessories – Inlay

For Hollow Shaft Encoders



Features

- Inlay for hollow shaft encoders Ø 38 mm
- Insulating the encoder thermally and electrically
- Reducing the diameter of the hollow shaft to Ø 12 mm
- Material: plastic
- Temperature range -40...+115 °C

Technical data

Type	RSA-7
Ident. no.	1544808
Housing material	Plastic