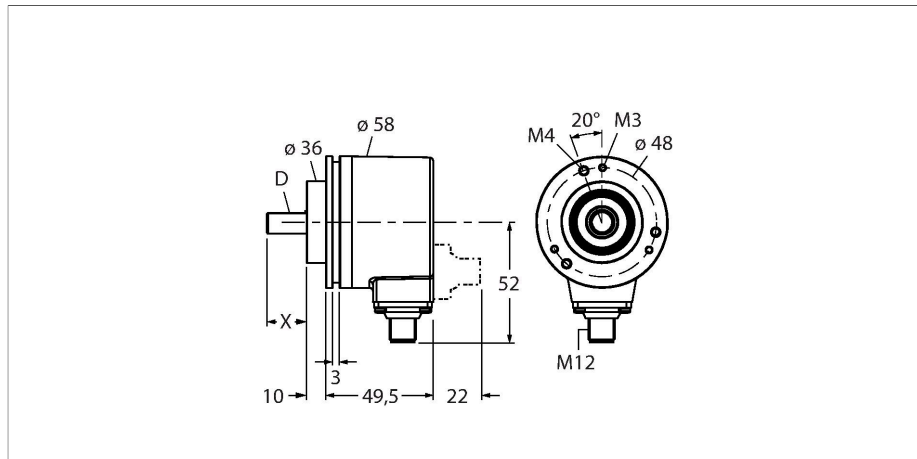


RM-28S10C-3C25B-H1181

Absolute Rotary Encoder - Multiturn

Industrial Line



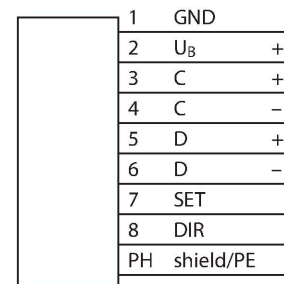
Features

- Clamping flange, Ø 58 mm
- Solid shaft, Ø 10 mm × 20 mm
- Optical measuring principle
- Shaft material: stainless steel
- IP67 rated on shaft side
- -40...+70 °C
- Max. 9000 rpm
- 10...30 VDC
- SSI, gray
- M12 connector, 8-pin
- Singleturn, 13-bit resolution
- Multiturn, 12-bit resolution

Technical data

Type	RM-28S10C-3C25B-H1181
Ident. no.	1545239
Measuring principle	Photoelectric
Max. Rotational Speed	9000 rpm
Moment of inertia of the rotor	4 x10 ⁻⁶ kgm ²
Starting torque	< 0.01 Nm
Ambient temperature	-40...+70 °C
Operating voltage	10...30 VDC
No-load current	≤ 50 mA
Output current	≤ 20 mA
Short-circuit protection	yes
Wire breakage/Reverse polarity protection	yes
Communication protocol	SSI
Output function	8-wire, Gray coded
Output type	absolute multiturn
Resolution single-turn	13 Bit
Resolution multiturn	12 Bit
Signal level high	typ. 3.8 V
Signal level low	typ. 1.3 V
Design	Solid shaft
Flange type	Clamping flange
Flange diameter	Ø 58 mm
Shaft Type	Solid shaft
Shaft diameter D (mm)	10
Shaft length X	20 mm
Shaft material	Stainless steel

Wiring diagram



Technical data

Housing material	Die-cast zinc
Electrical connection	Connectors, M12 × 1
	8-pin
Axial shaft load	40 N
Radial shaft load	80 N
Vibration resistance (EN 60068-2-6)	100 m/s ² , 55...2000 Hz
Shock resistance (EN 60068-2-27)	2500 m/s ² , 6 ms
Protection class housing	IP67
Protection class shaft	IP67

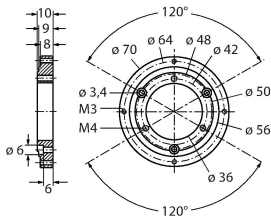
Signal	Gnd	+U _B	C+	C-	D+	D-	SET	DIR	Shield / PE
Pin configuration	1	2	3	4	5	6	7	8	PH

Accessories

<p>RFA-2</p>	<p>1544631</p> <p>Aluminium flange adapter, rectangular, for solid shaft encoders with clamping flange; edge length 63.5 mm; 3 mm thick</p>	<p>RFA-4</p>	<p>1544633</p> <p>Euro flange – aluminium flange adapter for solid shaft encoders, Ø 115 mm; reference diameter 100 mm; adapts 58 mm clamping flange to Euro flange</p>
<p>RFA-6</p>	<p>1544635</p> <p>Aluminium flange adapter for solid shaft encoders with clamping flange, Ø 58 mm; adapts clamping flange to synchro flange</p>	<p>RFA-7</p>	<p>1544636</p> <p>Aluminium flange adapter for solid shaft encoders, Ø 65 mm; adapts to Ø 65 mm flange and 48 mm reference diameter</p>
<p>RFA-8</p>	<p>1544637</p> <p>Aluminium flange adapter for solid shaft encoders with clamping flange, Ø 70 mm; thickness 4 mm, adapts to Ø 70 mm flange</p>	<p>RFA-9</p>	<p>1544638</p> <p>Aluminium angle flange for solid shaft encoders with Ø 58 mm clamping flange</p>

RFA-11

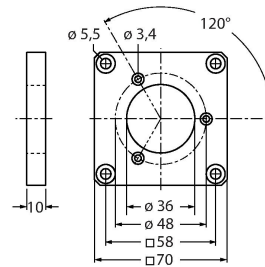
1544640



Aluminium flange adapter for solid shaft encoders with clamping flange, Ø 70 mm; thickness 10 mm, adapts to Ø 70 mm flange

RFA-12

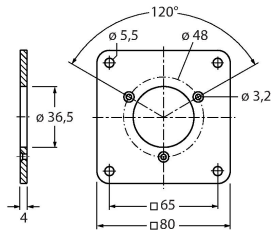
1544641



Aluminium flange adapter, rectangular, for solid shaft encoders with clamping flange; edge length 70 mm; 10 mm thick

RFA-13

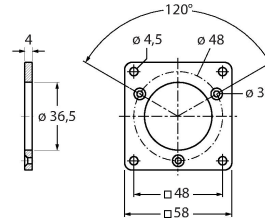
1544642



Aluminium flange adapter, rectangular, for solid shaft encoders with clamping flange; edge length 80 mm; 4 mm thick

RFA-1

1544630



Aluminium flange adapter, rectangular, for solid shaft encoders with clamping flange; edge length 58 mm; 4 mm thick