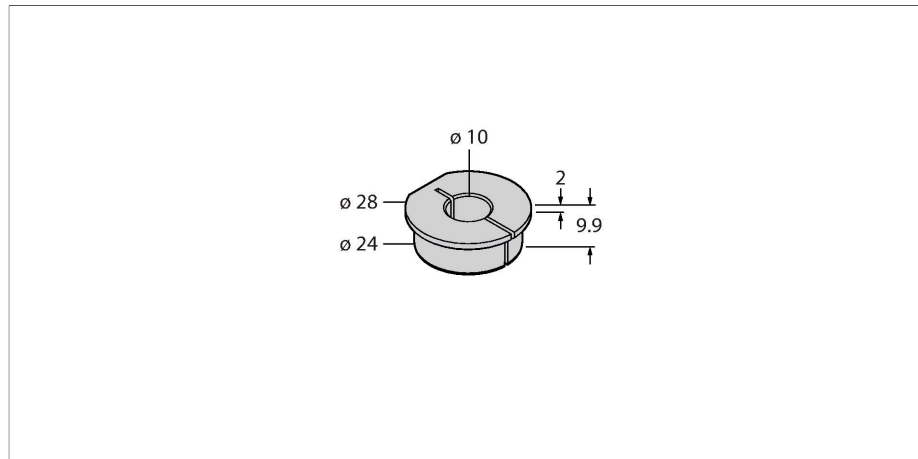


RA4-EQR24

Accessories – Adapter Sleeve

For Encoders RI-QR24



Features

- Adapter sleeve 10 mm
- Stainless steel: 1.4404 V4A

Technical data

Type	RA4-EQR24
Ident. no.	1593023
Housing material	Stainless steel, V4A 1.4404 (AISI 316L)