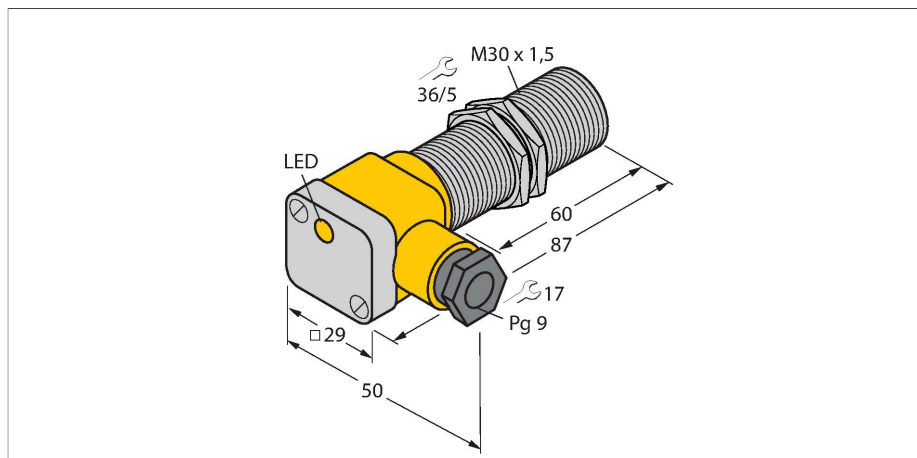


BI10U-EG30SK-AN6X

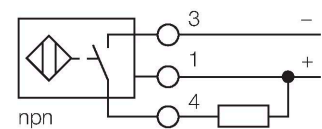
Inductive Sensor



Features

- Threaded barrel, M30 x 1.5
- Stainless steel, 1.4301
- Factor 1 for all metals
- Resistant to magnetic fields
- Extended temperature range
- High switching frequency
- DC 3-wire, 10...30 VDC
- NO contact, NPN output
- Terminal chamber

Wiring diagram



Functional principle

Inductive sensors are designed for wear-free and contactless detection of metal objects. Approx Factor 1 sensors have significant advantages due to their patented ferrite-coreless multi-coil system. They detect all metals at the same large switching distance and are resistant to magnetic fields.

Technical data

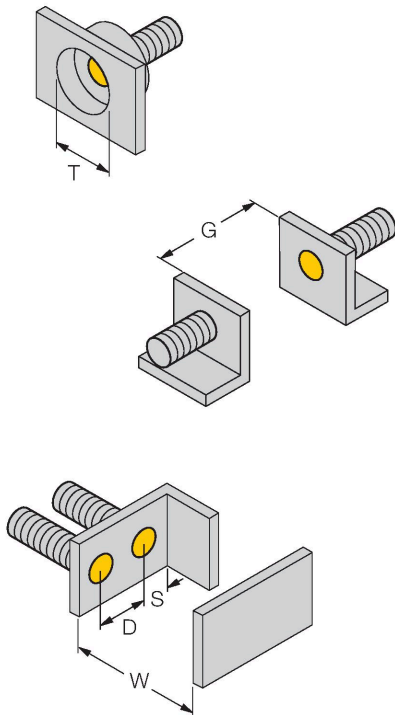
| | |
|--|---|
| Type | BI10U-EG30SK-AN6X |
| ID | 1636420 |
| General data | |
| Rated switching distance | 10 mm |
| Mounting conditions | Flush |
| Secured operating distance | $\leq (0.81 \times S_n)$ mm |
| Repeat accuracy | $\leq 2\%$ of full scale |
| Temperature drift | $\leq \pm 10\%$ $\leq \pm 15\%$, $-25\text{ °C} \leq +70\text{ °C}$ |
| Hysteresis | 3...15 % |
| Electrical data | |
| Operating voltage U_b | 10...30 VDC |
| Ripple U_{ss} | $\leq 10\% U_{Bmax}$ |
| DC rated operating current I_o | ≤ 200 mA |
| No-load current | ≤ 25 mA |
| Residual current | ≤ 0.1 mA |
| Isolation test voltage | 0.5 kV |
| Short-circuit protection | yes/Cyclic |
| Voltage drop at I_o | ≤ 1.8 V |
| Wire break/reverse polarity protection | yes/Complete |
| Output function | 3-wire, NO contact, NPN |
| DC field stability | 300 mT |
| AC field stability | 300 mT _{ss} |
| Insulation class | 2 |
| Switching frequency | 2 kHz |
| Mechanical data | |
| Design | Threaded barrel, M30 x 1.5 |

Technical data

| | |
|---------------------------------------|---|
| Dimensions | 87 mm |
| Housing material | Stainless steel, 1.4301 (AISI 304) |
| Terminal chamber cover material | plastic, Ultem |
| Terminal chamber housing material | plastic, PA12-GF30 |
| Active area material | Plastic, LCP |
| Max. tightening torque of housing nut | 75 Nm |
| Electrical connection | Terminal chamber |
| Clamping ability | ≤ 2.5 mm ² |
| Cable external diameter | 4.5...8 mm |
| Environmental conditions | |
| Ambient temperature | -30...+85 °C |
| Vibration resistance | 55 Hz (1 mm) |
| Shock resistance | 30 g (11 ms) |
| Protection class | IP67 |
| MTTF | 874 years acc. to SN 29500 (Ed. 99) 40 °C |
| Switching state | LED, Yellow |
| Included in delivery | cable gland; 2x plastic seals |

Mounting instructions

Mounting instructions/Description

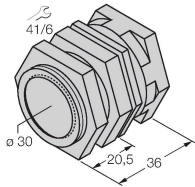


| | |
|------------------------|---------|
| Distance D | 2 x B |
| Distance W | 3 x Sn |
| Distance T | 3 x B |
| Distance S | 1.5 x B |
| Distance G | 6 x Sn |
| Diameter active area B | Ø 30 mm |

Accessories

QM-30

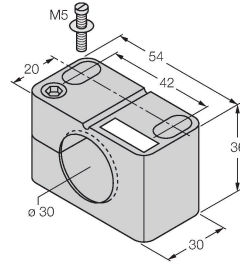
6945103



Quick-mount bracket with dead-stop; material: Chrome-plated brass. Male thread M36 × 1.5. Note: The switching distance of the proximity switches may change when using quick-mount brackets.

BST-30B

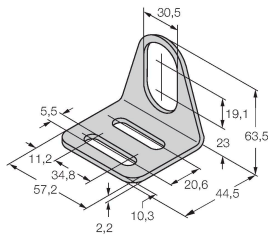
6947216



Mounting clamp for threaded barrel sensors, with dead-stop; material: PA6

MW30

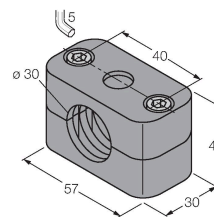
6945005



Mounting bracket for threaded barrel sensors; material: Stainless steel A2 1.4301 (AISI 304)

BSS-30

6901319



Mounting clamp for smooth and threaded barrel sensors; material: Polypropylene