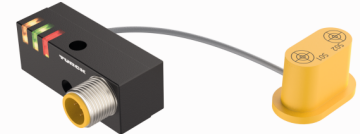
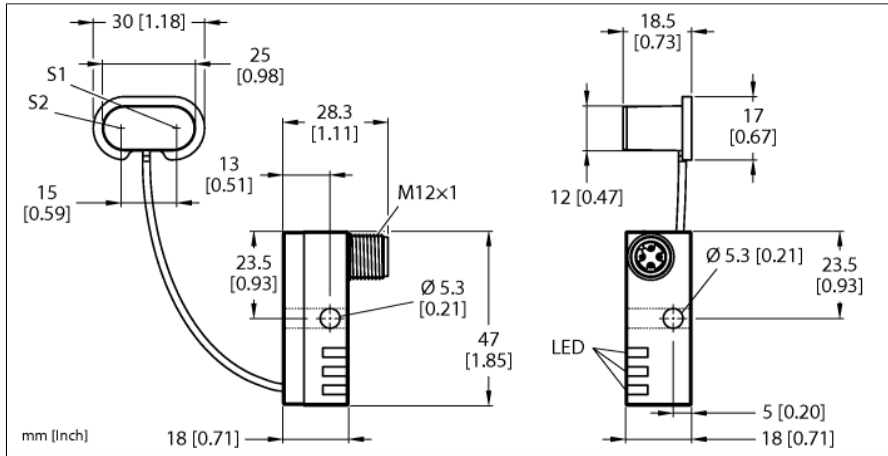


Inductive Sensor Monitoring Kit for Power Clamps NI1.5-VEP-2AP6-0.185-FS4.4X3/S304



Type	NI1.5-VEP-2AP6-0.185-FS4.4X3/S304
ID	1650123
Special version	S304 Corresponds to: 2 x Ni./Bi./...-AP(N)6/S34. Function for DeviceNet. Defined length at connector FS4.4/FS4.4K or FSF5.5/FSF5.5K (with PE connection) or FS4.4X3. Example for order : NI2-Q6.5-AP6-0.1-FSF4.4X3/S304

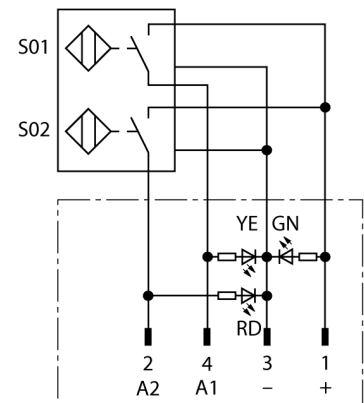
General data	
Rated switching distance S_n	1.5 mm
Mounting conditions	Non-flush
Secured operating distance	$\leq (0.81 \times S_n)$ mm
Correction factors	$St37 = 1; Al = 0.3; \text{stainless steel} = 0.7; Ms = 0.4$
Repeat accuracy	$\leq 2\%$ of full scale
Temperature drift	$\leq \pm 10\%$
Hysteresis	3...15 %

Electrical data	
Operating voltage U_s	10...30 VDC
Ripple U_{rs}	$\leq 10\% U_{Bmax}$
DC rated operating current I_s	≤ 150 mA
Residual current	≤ 0.1 mA
Isolation test voltage	0.5 kV
Short-circuit protection	yes/Cyclic
Voltage drop at I_s	≤ 1.8 V
Output function	4-wire, NO contact, PNP
Switching frequency	0.03 kHz

Mechanical data	
Design	Monitoring Kit for Spanners, VEP
Dimensions	47 x 18 x 18 mm
Housing material	Plastic, PBT-GF20-V0
Active area material	Plastic, PP GR-15
Electrical connection	Connector, M12 x 1
Cable quality	$\varnothing 3$ mm, Gray, Lif9Y-11Y, PUR, 0.185 m
Core cross-section	4 x 0.14 mm ²

- VEP power block with two connected sensors and LEDs
- M12 x 1 connector
- Plastic, PBT-GF20-V0
- Resistant to magnetic fields (weld-resistant), for DC and AC fields up to 100 mT
- 2 x NO contact, PNP output
- DC 4-wire, 10...30 VDC

Wiring Diagram



Functional principle

TURCK offers special monitoring kits, consisting of two miniature sensors, as a convenient solution for "Open/Closed" detection on pneumatic power clamps. This product line provides almost unlimited combination possibilities, comprising four different power blocks and over 40 different modular sensor types.

Environmental conditions	
Ambient temperature	-25...+70 °C
Vibration resistance	55 Hz (1 mm)
Shock resistance	30 g (11 ms)
Protection class	IP67
MTTF	2283 years acc. to SN 29500 (Ed. 99) 40 °C
Power-on indication	
Switching state	LED, Green 2 × LEDs, Yellow/red