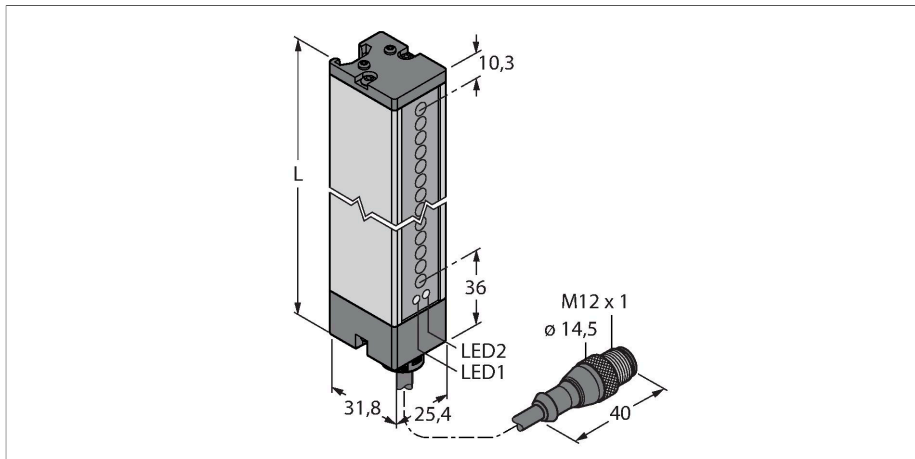


# LX3EQ

## Photoelectric Sensor – Opposed Mode Sensor (Emitter)

### Emitter



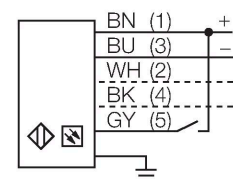
#### Technical data

|                             |  |
|-----------------------------|--|
| Type                        | LX3EQ                                      |
| ID                          | 3002661                                    |
| <b>Optical data</b>         |  |
| Function                    | Light screen                               |
| Operating mode              | Emitter                                    |
| Light type                  | IR   |
| Wavelength                  | 880 nm                                     |
| Optical resolution          | 9.5 mm                                     |
| Range                       | 150...2000 mm                              |
| Scan field                  | 67 mm                                      |
| <b>Electrical data</b>      |  |
| Operating voltage           | 10...30 VDC                                |
| Residual ripple             | < 10 % U <sub>ss</sub>                     |
| No-load current             | ≤ 100 mA                                   |
| Short-circuit protection    | yes  |
| Reverse polarity protection | yes  |
| Response time typical       | < 0.8 ms                                   |
| <b>Mechanical data</b>      |  |
| Design                      | Rectangular, LX                            |
| Dimensions                  | 31.8 x 25.4 x 113.4 mm                     |
| Housing material            | Metal, AL, Grey                            |
| Lens                        | plastic, Acrylic                           |
| Electrical connection       | Cable with connector, M12 × 1, 0.15 m, PVC |
| Number of cores             | 5  |
| Core cross-section          | 0.5 mm <sup>2</sup>                        |

#### Features

- Cable with male end M12 × 1, 5-pin, 0.15 m
- Protection class IP65
- Scan field 67 mm
- Minimum target size 9.5 mm
- Operating voltage: 10 ... 30 VDC
- Programmable connection for reduced sensing range
- 2 slot nuts including M5 screws for wall mounting included in the scope of delivery

#### Wiring diagram



#### Functional principle

Light screens are used to monitor large areas. They consist of an emitter and a receiver. Switching light screens with scanning heights of up to 76 mm (LX3...) and up to 914 mm (Lx36...) are available. The crossed beams of the LX light screen enable small objects and/or objects that are not standard shapes to be reliably detected.

## Technical data

|                        |  |
|------------------------|--|
| Ambient temperature    | -20...+70 °C                             |
| Relative humidity      | 0...90 %                                 |
| Protection class       | IP65                                     |
| Power-on indication    | LED, Green                               |
| Error indication       | LED, red, Flashing                       |
| <b>Tests/approvals</b> |  |
| MTTF                   | 74 years acc. to SN 29500 (Ed. 99) 40 °C |
| Approvals              | CE, cURus                                |



## Accessories

**SMBLX** 3002915

Mounting bracket, galvanized steel, for LX series, 2 pcs., not included in delivery

**SMBLXR** 3002914

Foot, galvanized steel, for LX series

## Accessories

| Dimension drawing | Type          | ID      |  |
|-------------------|---------------|---------|--|
|                   | MQDEC2-506    | 3060810 | Anschlusskabel, PVC, geschirmt, Länge 1.83 m, M12 x 1 Kupplung 5-polig auf offenes Ende  |
|                   | MQDEC2-506RA  | 3060813 | Anschlusskabel, PVC, geschirmt, Länge 1.83 m, M12 x 1 Kupplung gewinkelt 5-polig auf offenes Ende  |
|                   | RKC4.5T-2/TEL | 6625016 | Connection cable, female M12, straight, 5-pin, cable length: 2 m, sheath material: PVC, black; cULus approval; other cable lengths and qualities available, see <a href="http://www.turck.com">www.turck.com</a> |
|                   |               |         |  |
|                   | WKC4.5T-2/TEL | 6625028 | Connection cable, female M12, angled, 5-pin, cable length: 2 m, sheath material: PVC, black; cULus approval; other cable lengths and qualities available, see <a href="http://www.turck.com">www.turck.com</a>   |
|                   |               |         |  |