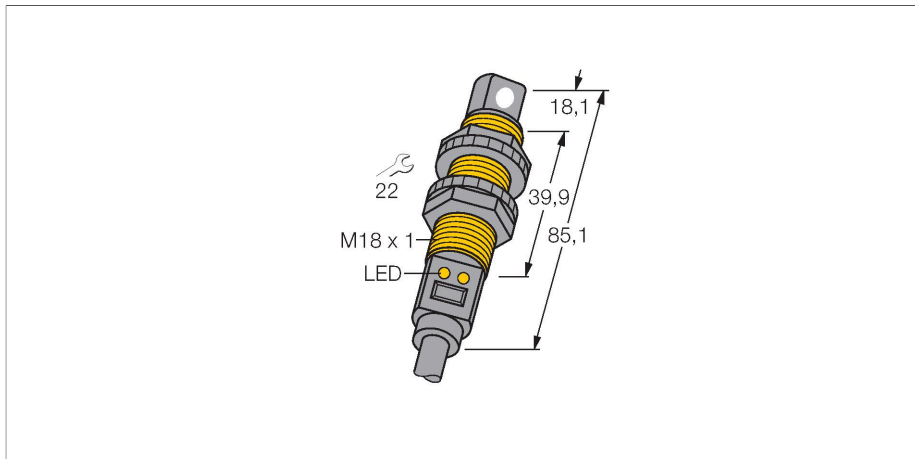


# S18UIAR

## Ultrasonic Sensor – diffuse mode sensor With Analog Output



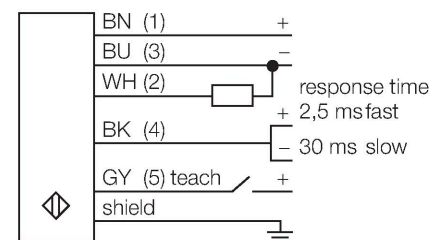
### Technical data

Type	S18UIAR
ID	3002708
<b>Ultrasonic data</b>	
Function	Proximity switch
Range	30...300 mm
Ultrasound frequency	300 kHz
Repeatability	≤ ± 0.25 mm
Temperature drift	± 0.3 % of full scale
Edge lengths of the nominal actuator	50 mm
<b>Electrical data</b>	
Operating voltage	10...30 VDC
No-load current	≤ 100 mA
Load resistance	≤ 1000 Ω
Response time typical	< 2.5 ms
Readiness delay	≤ 300 ms
Output function	Analog output
Current output	4...20 mA
Short-circuit protection	yes
Reverse polarity protection	Complete
Wire breakage protection	yes
<b>Mechanical data</b>	
Design	Right Angled Barrel, S18U
Radiation direction	side
Dimensions	Ø 18 x 85.1 mm
Housing material	Plastic, ABS/Polycarbonate

### Features

- Compact design
- Cable, 2 m
- Temperature compensation
- Very small blind zone
- Measuring range adjustable via teach-in
- Blind zone: 3 cm
- Range: 30 cm

### Wiring diagram

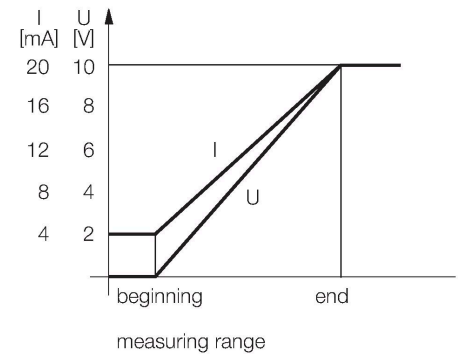


### Functional principle

Ultrasonic sensors detect a multitude of objects contactless and wear-free with ultrasonic waves. Regardless of whether the object is transparent or opaque, metallic or non-metallic, liquid, solid or powdery. Even environmental conditions such as spray, dust or rain hardly affect their function.

## Technical data

Transducer material	Plastic, Epoxyd resin and PU foam
Electrical connection	Cable, 2 m, PVC
Ambient temperature	-20...+60 °C
Storage temperature	-40...+80 °C
Relative humidity	100 %
Protection class	IP67
Power-on indication	LED
Switching state	LED
Object detected	LED, Green
<b>Tests/approvals</b>	
MTTF	53 years acc. to SN 29500 (Ed. 99) 40 °C
Approvals	CE, cURus

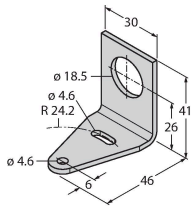


## Accessories

SMB18A

3033200

Mounting bracket, rectangular, stainless steel, for sensors with 18 mm thread



SMB18FM

3079421

mounting bracket, black, M22 x1.5 mm, male thread, female thread M18 x 1, for sensors with 18 mm thread

SMB18SF

3052519

Mounting bracket, PBT black, for sensors with 18 mm thread, rotatable

