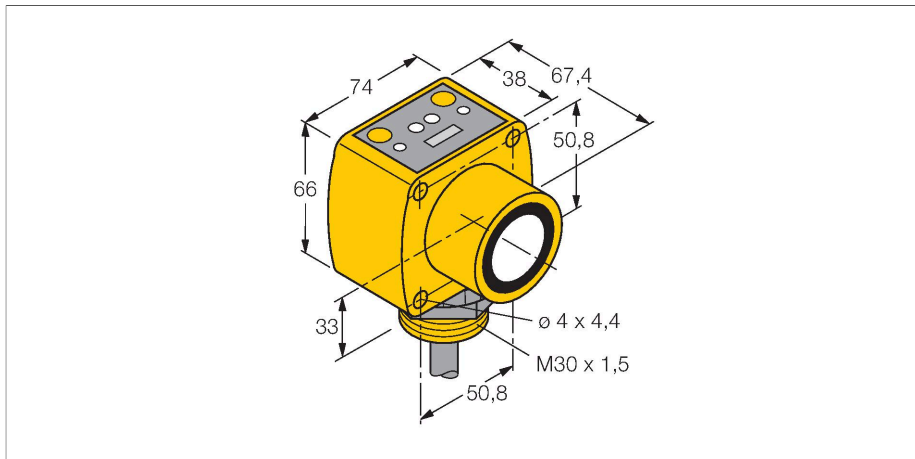


# QT50ULB

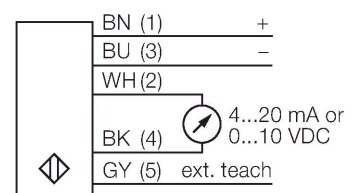
## Ultrasonic Sensor – diffuse mode sensor With Analog Output



### Features

- LED indicates signal intensity
- Cable, PVC, 2 m, 5-wire
- Temperature compensation selectable via DIP switch
- Current or voltage output selectable via DIP switch
- Response time between 100 ms and 2300 ms, adjustable via DIP switch
- Blind zone: 20 cm
- Range: 800 cm

### Wiring diagram



### Functional principle

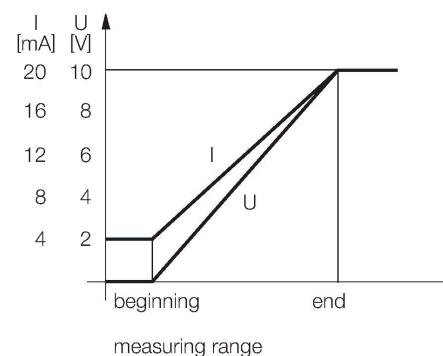
Ultrasonic sensors detect a multitude of objects contactless and wear-free with ultrasonic waves. Regardless of whether the object is transparent or opaque, metallic or non-metallic, liquid, solid or powdery. Even environmental conditions such as spray, dust or rain hardly affect their function.

### Technical data

Type	QT50ULB
ID	3002726
<b>Ultrasonic data</b>	
Function	Proximity switch
Range	200...8000 mm
Ultrasound frequency	75 kHz
Repeatability	≤ ± 1 mm
Temperature drift	≤ 0.02 % of full scale/K
Edge lengths of the nominal actuator	500 mm
<b>Electrical data</b>	
Operating voltage	10...30 VDC
Load resistance	≤ 500 Ω
Response time typical	< 100 ms
Readiness delay	≤ 1500 ms
Output function	Analog output
Current output	4...20 mA
Voltage output	0...10 V
Hysteresis	≤ 5 mm
Short-circuit protection	yes
<b>Mechanical data</b>	
Design	Rectangular, QT50U
Radiation direction	straight
Dimensions	67.4 x 74 x 84.2 mm
Housing material	Plastic, PBT
Transducer material	Plastic, Epoxyd resin and PU foam

## Technical data

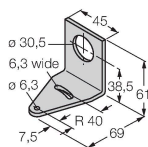
Electrical connection	Cable, 2 m, PVC
Ambient temperature	-20...+70 °C
Storage temperature	-40...+90 °C
Relative humidity	100 %
Protection class	IP67
Power-on indication	LED, Green
Switching state	LED
Object detected	LED, Red
<b>Tests/approvals</b>	
MTTF	131 years acc. to SN 29500 (Ed. 99) 40 °C
Approvals	CE



## Accessories

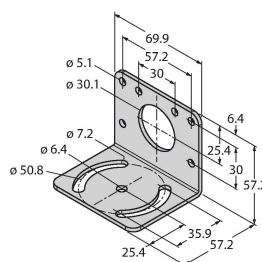
**SMB30A** 3032723

Mounting bracket, rectangular, stainless steel, for sensors with 30mm thread



**SMB30MM** 3027162

Mounting bracket, rectangular, stainless steel, for sensors with 30 mm thread, wide holes for accurate alignment



**SMB30SC** 3052521

Mounting bracket, PBT black, for sensors with 30 mm thread, rotatable

