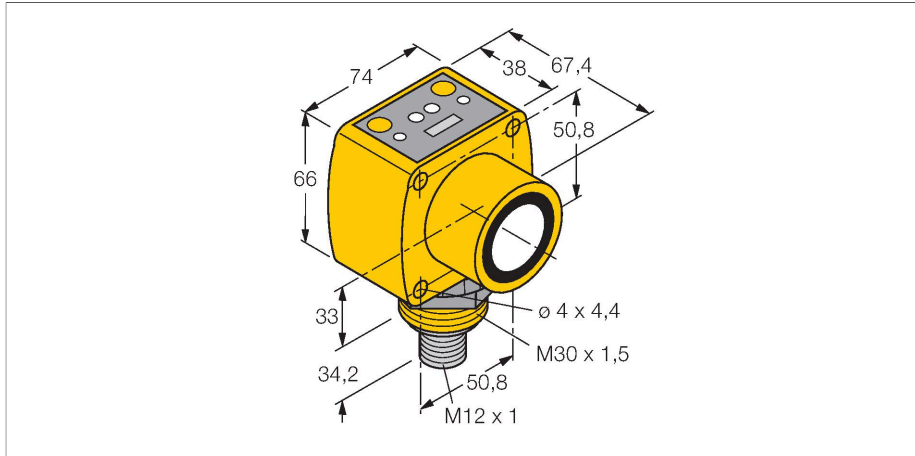


QT50ULBQ6

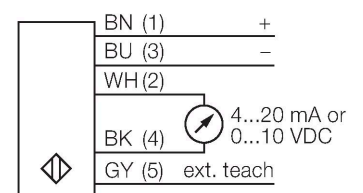
Ultrasonic Sensor – diffuse mode sensor With Analog Output



Features

- LED indicates signal intensity
- Male connector, 5-pin, M12 × 1
- Temperature compensation selectable via DIP switch
- Current or voltage output selectable via DIP switch
- Response time between 100 ms and 2300 ms, adjustable via DIP switch
- Blind zone: 20 cm
- Range: 800 cm

Wiring diagram



Functional principle

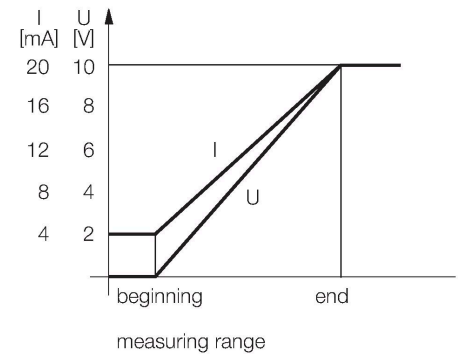
Ultrasonic sensors detect a multitude of objects contactless and wear-free with ultrasonic waves. Regardless of whether the object is transparent or opaque, metallic or non-metallic, liquid, solid or powdery. Even environmental conditions such as spray, dust or rain hardly affect their function.

Technical data

Type	QT50ULBQ6
ID	3002728
Ultrasonic data	
Function	Proximity switch
Range	200...8000 mm
Ultrasound frequency	75 kHz
Repeatability	≤ ± 1 mm
Temperature drift	≤ 0.02 % of full scale/K
Edge lengths of the nominal actuator	500 mm
Electrical data	
Operating voltage	10...30 VDC
Load resistance	≤ 500 Ω
Response time typical	< 100 ms
Readiness delay	≤ 1500 ms
Output function	Analog output
Current output	4...20 mA
Voltage output	0...10 V
Short-circuit protection	yes
Mechanical data	
Design	Rectangular, QT50U
Radiation direction	straight
Dimensions	67.4 x 74 x 100.2 mm
Housing material	Plastic, PBT
Transducer material	Plastic, Epoxyd resin and PU foam
Electrical connection	Connector, M12 × 1, PVC

Technical data

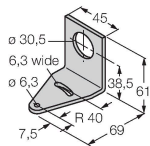
Ambient temperature	-20...+70 °C
Storage temperature	-40...+90 °C
Relative humidity	100 %
Protection class	IP67
Power-on indication	LED, Green
Switching state	LED
Object detected	LED, Red
Tests/approvals	
MTTF	131 years acc. to SN 29500 (Ed. 99) 40 °C
Approvals	CE



Accessories

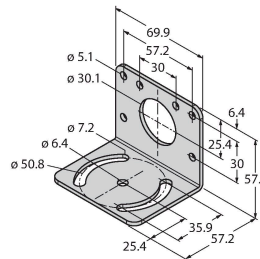
SMB30A 3032723

Mounting bracket, rectangular, stainless steel, for sensors with 30mm thread



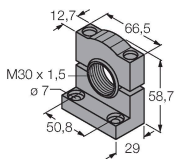
SMB30MM 3027162

Mounting bracket, rectangular, stainless steel, for sensors with 30 mm thread, wide holes for accurate alignment



SMB30SC 3052521

Mounting bracket, PBT black, for sensors with 30 mm thread, rotatable



Accessories

Dimension drawing	Type	ID	
	RKC4.5T-2/TEL	6625016	Connection cable, M12 female connector, straight, 5-pin, cable length: 2 m, jacket material: PVC, black; cULus approval



Dimension drawing	Type	ID	
	WKC4.5T-2/TEL	6625028	Connection cable, M12 female connector, angled, 5-pin, cable length: 2 m, jacket material: PVC, black; cULus approval
	RKS4.5T-2/TEL	6626361	Connection cable, M12 female connector, straight, 5-pin, cable length: 2 m, jacket material: PVC, black; shielded; cULus approval
	WKS4.5T-2/TEL	6626364	Connection cable, M12 female connector, angled, 5-pin, cable length: 2 m, jacket material: PVC, black; shielded; cULus approval