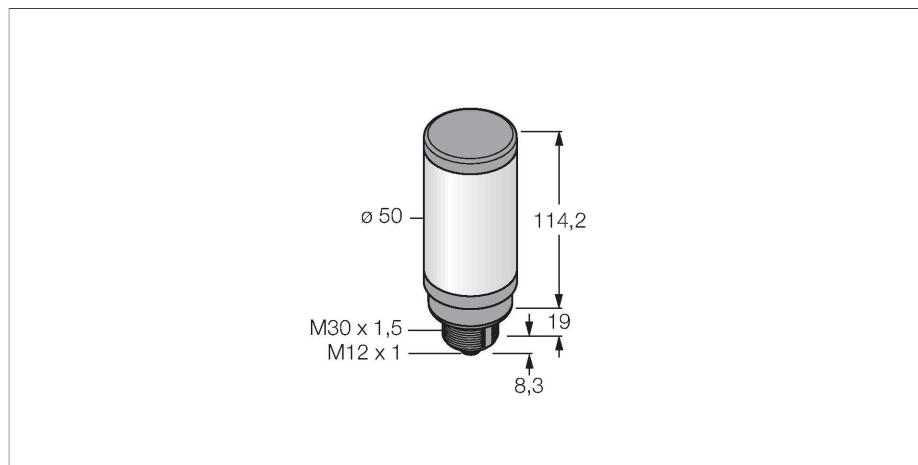


CL50GRYPQ

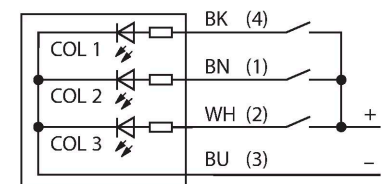
LED Indicator – Tower Light



Features

- LED tower light
- Individually controllable
- Mechanical screw-in thread M30x1.5
- Protection class IP67
- Multicolor: Green (COL 1) / Red (COL 2) / Yellow (COL 3)
- M12 x 1 connector
- Operating voltage 18...30 VDC

Wiring diagram



Functional principle

Multicolor/multifunction display
 Rugged and well-priced LED tower, easy to install
 Illuminated segments for clear operator guidance and display of system status.
 Display of up to 3 colors.
 Compact devices, no controller required
 No mounting
 The wiring diagram shows the PNP input configuration. An instruction leaflet with detailed information about the connection is included with the devices.

Technical data

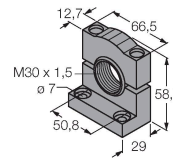
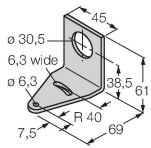
Type	CL50GRYPQ
ID	3010017
Signal and display data	
Purpose	LED indicator light
Function	Tower light
Light type	Green Red Yellow
Dimmable	No
Features of color 1	Green, Permanently on, 72 lm
Features of color 2	Red, Permanently on, 38 lm
Features of color 3	Yellow, Permanently on, 30 lm
Electrical data	
Operating voltage	18...30 VDC
DC rated operational current	≤ 100 mA
Max. current consumption per color	100 mA
Input type	PNP
Response time typical	< 10 ms
Mechanical data	
Cascadable	No
Design	Smooth barrel, CL50
Dimensions	Ø 50 x 114.2 mm
Housing material	Plastic, ABS/Polycarbonate, Black
Window material	Polycarbonate, diffuse
Electrical connection	Connector, M12 × 1, PVC
Number of cores	4
Ambient temperature	-40...+50 °C

Technical data

Relative humidity	0...95 %
Protection class	IP67
Tests/approvals	
Approvals	CE, UL listed

Accessories

SMB30A	3032723	SMB30SC	3052521
Mounting bracket, rectangular, stainless steel, for sensors with 30mm thread		Mounting bracket, PBT black, for sensors with 30 mm thread, rotatable	



Accessories

Dimension drawing	Type	ID	
	RKC4.4T-2/TEL	6625013	Connection cable, M12 female connector, straight, 4-pin, cable length: 2 m, jacket material: PVC, black; cULus approval
	WKC4.4T-2/TEL	6625025	Connection cable, M12 female connector, angled, 4-pin, cable length: 2 m, jacket material: PVC, black; cULus approval