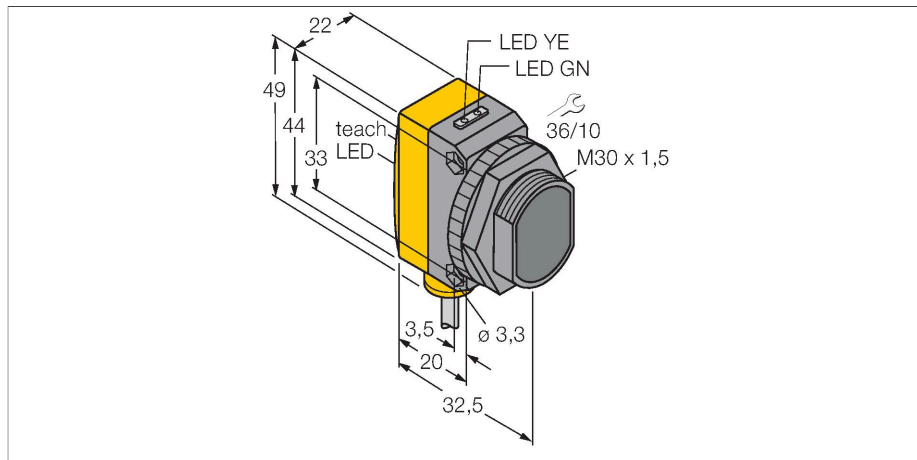


QS30ELVC

Photoelectric Sensor – Retroreflective Sensor



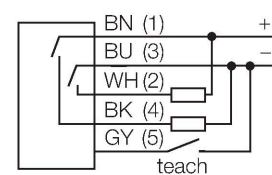
Technical data

Type	QS30ELVC
ID	3010133
Optical data	
Function	Retroreflective Sensor
Operating mode	Unpolarized
Light type	Red
Wavelength	660 nm
Range	100...2000 mm
Electrical data	
Operating voltage	10...30 VDC
Residual ripple	< 10 % U _{ss}
DC rated operational current	≤ 150 mA
No-load current	≤ 25 mA
Short-circuit protection	yes
Reverse polarity protection	yes
Output function	NO contact, PNP/NPN
Switching frequency	≤ 1000 Hz
Readiness delay	≤ 250 ms
Response time typical	< 0.5 ms
Setting option	Push Button Remote Teach
Mechanical data	
Design	Rectangular with thread, QS30
Dimensions	Ø 30 x 35 x 22 x 49 mm
Housing material	Plastic, Thermoplastic material, Yellow
Lens	plastic, Acrylic
Electrical connection	Cable, 2 m, PVC

Features

- Cable, PVC, 2 m
- Protection class IP67
- LED, all-round visible
- Teach button
- 8-segment bargraph
- Sensitivity adjustment for three different object classes
- Reflector BRT-2X2LVC and BRT-40X19A included in delivery
- Operating voltage: 10...30 VDC
- Switching output, bipolar
- Light or dark operation

Wiring diagram

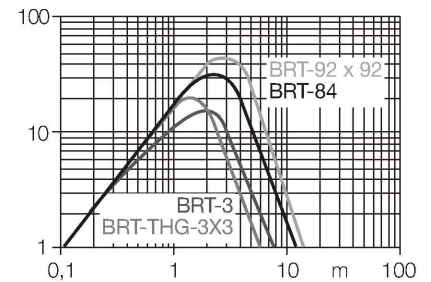


Functional principle

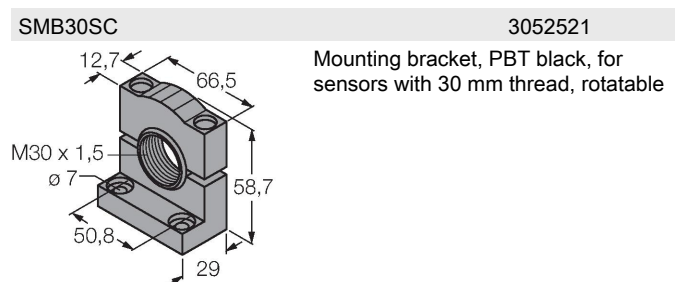
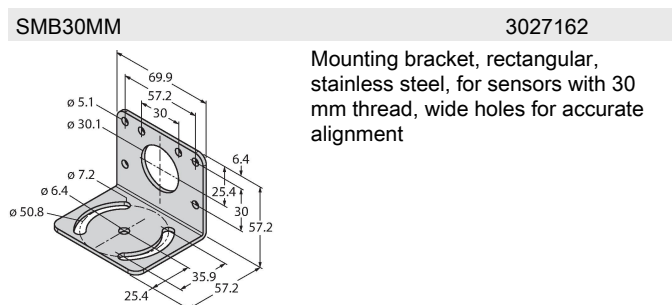
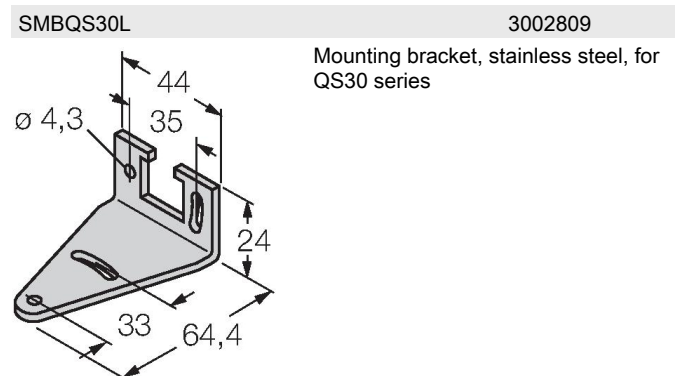
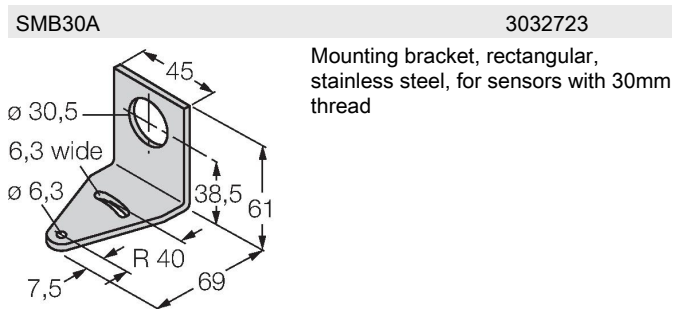
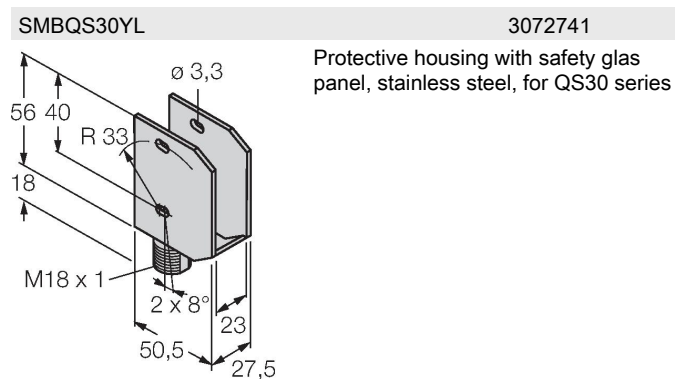
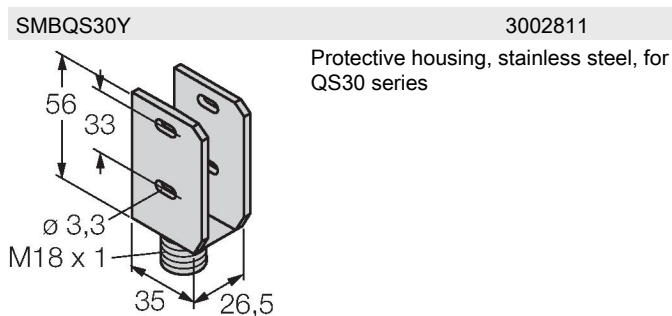
The QS30ELVC is a high-performance retro-reflective sensor for the detection of light, transparent and also opaque objects. Thanks to a special follow-up algorithm with automatic compensation, thresholds can be adjusted to constantly changing signal strengths. The sensor is thus perfectly suited for the detection of PET bottles, glass jars, reflecting surfaces, LCDs or even wafers.

Technical data

Number of cores	5
Core cross-section	0.5 mm ²
Ambient temperature	-10...+55 °C
Protection class	IP67
Special features	Clear object detection
Power-on indication	LED, Green
Switching state	LED, Yellow
Error indication	LED, green, Flashing
Excess gain indication	Bargraph, red
Tests/approvals	
Approvals	CE



Accessories



Accessories

Dimension drawing	Type	ID	
	BRT-84	3058979	Round reflector, reflection coefficient 1.4, material acrylic, ambient temperature -20 ... +60 °C

