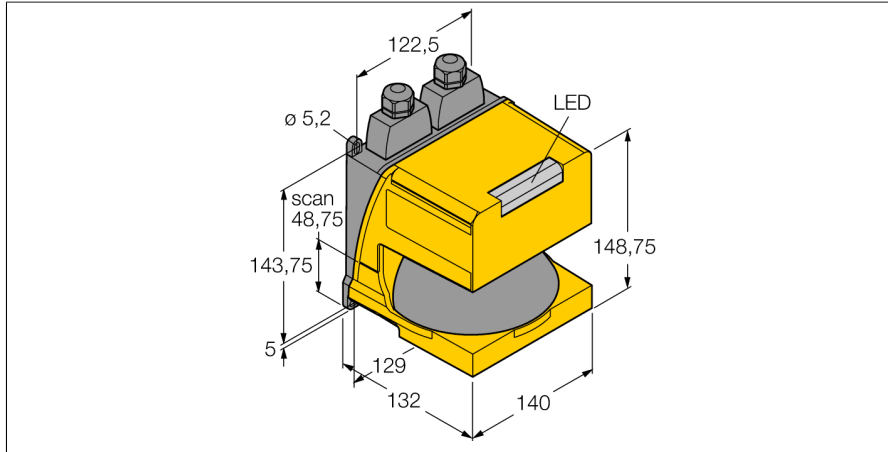


Safety Laser Scanners

Stand-Alone Device

Up to 8 Protective Fields, Max. 6.25 m

AG4-6E



- Parametrized via software
- Angular range max. 190°
- Angular resolution 0.36°
- Electrical connection via SUB-D15 connector
- Connection cable AG4-CPD15 (not incl. in delivery)
- 8 protective fields adjustable
- Laser class 1 acc. to EN 60825-1
- Resolution 30 mm at a distance of 1600 mm
- Resolution 70 mm at a distance of 6250 mm
- Minimum radiance factor 1.8% in protective field
- Protective field 0.2 ... 6,25 m
- Warning field 0.2...15 m
- scan field 0...50 m
- Minimum radiance factor 20% in warning field
- Operating voltage 17...28 VDC
- Protection class IP65
- Personnel safety category PLd acc. to ISO 13849-1
- Category 3 acc. to EN 945-1, type 3 (IEC 61496)
- SIL 2 to IEC 61508

Type	AG4-6E
ID	3012526
Function	Laser scanner
Light type	IR
Wavelength	905 nm
Laser class	▲ 1
Optical resolution	30 mm
Range	200...6250 mm
Operating voltage	17...28 VDC
DC rated operational current	≤ 420 mA
No-load current I ₀	≤ 170 mA
Output function	2 x NC (normally closed), 2 x PNP
Number of safe semiconductor outputs	2
Response time typical	< 80 ms
Design	Rectangular, AG4
Housing material	Metal, AL
Lens	plastic, Acryl
Electrical connection	Connector
Ambient temperature	0...+50 °C
Relative humidity	0...95%
Protection class	IP65
Special features	Laser
Switching state	LED, Green
Error indication	LED, red
Excess gain indication	LED, yellow

Tests/approvals

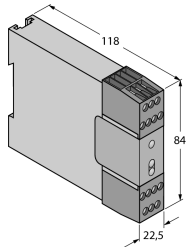
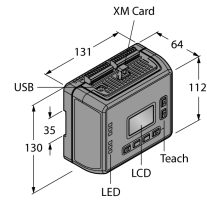
Functional principle

The safety sensor AG4-6E is a photoelectric, two dimensional measuring laser scanner. The safety sensor periodically transmits light pulses via a rotating deflection unit. The light pulses are reflected by obstacles like persons for example and then analysed by the safety sensor. The exact position of the obstacle is determined from the light-travel time and the deflection angle. If an obstacle is located within the predefined protective field, the safety sensor performs a safety-related switching function. It shuts down the safety outputs. After clearing the field, the sensor resets the safety shutdown, either following confirmation or automatically, depending on the selected operating mode. The safety sensor can even detect people wearing very dark clothes with a very low radiance factor.

Accessories

Type code	Ident no.		Dimension drawing
AG4-MBK1	3082139	Mounting panel, black, plastic, wall mounting	

Function accessories

Type code	Ident no.		Dimension drawing
AG4-TB1 UM-FA-11A	3082141 3081228	Configuration and test box for AG4 Safety module, 3 NC outputs, 1 NO auxiliary output, 7 A max., 25 ms response time	
SC-SC22-3	3079715	Safety controller with 3 safety outputs and 22 inputs, programmable	
MMD-TA-12B	3075091	Muting module, 2 PNP OSSD outputs, 1 PNP auxiliary output, 0.5 A output current, 10 ms response time	