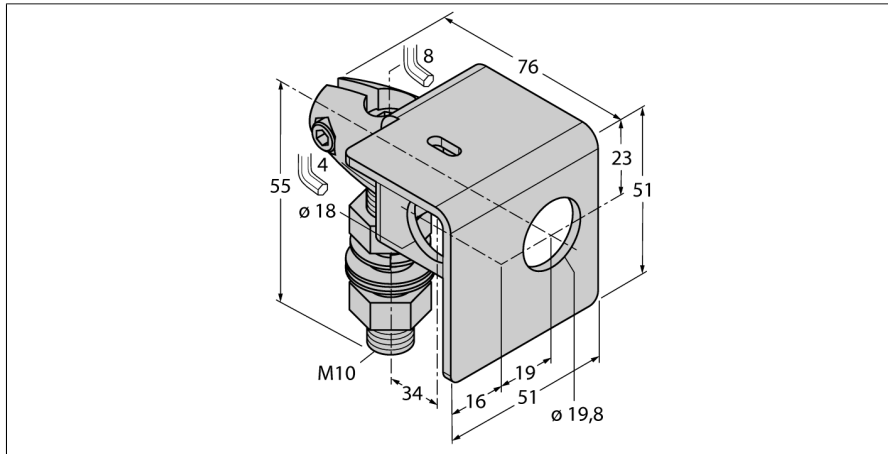


Accessories

Mounting Bracket

SMB18AFAM10



- Mounting bracket
- Cold-rolled steel
- For 18 mm thread
- M10 × 1.5 thread

| | |
|--------|--|
| Type | SMB18AFAM10 |
| ID | 3012558 |
| Design | Accessories for threaded barrel, SMB18AFAM10 |