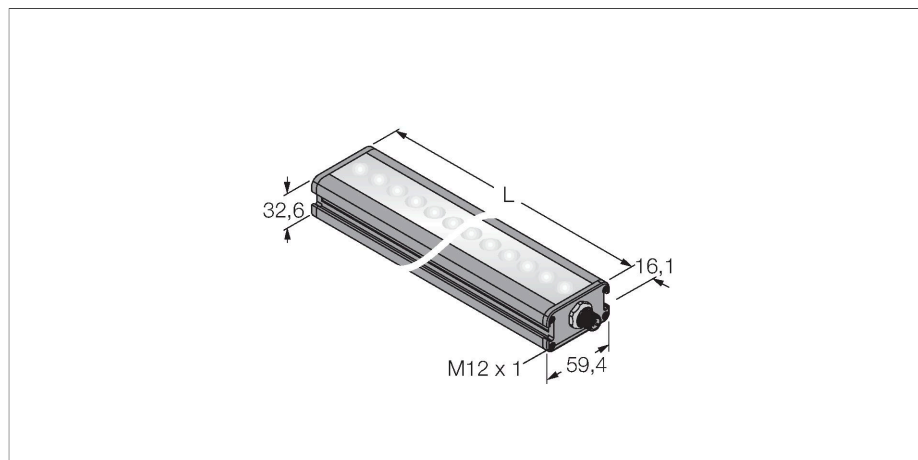


LEDWLA435XD6-XQ

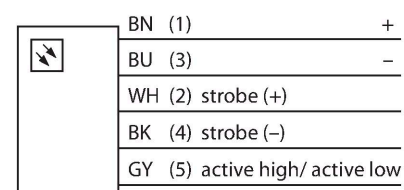
Vision System – Linear Area Light



Features

- High-Intensity
- Protection class: IP50
- Color: white
- Power supply: 24 VDC
- M12 x 1 male

Wiring diagram



Functional principle

High-intense illumination of large areas at long distances.

Technical data

Type	LEDWLA435XD6-XQ
ID	3012830
Signal and display data	
Purpose	Image processing
Function	Linear light
Light type	White
Color temperature	5000...+8300 K
Beam angle	6.5°
LED service life (L70)	50000 h
Features of color 1	White
Special features	Wash down
Electrical data	
Operating voltage	24 VDC
DC rated operational current	≤ 1500 mA
Max. current consumption per color	1500 mA
Mechanical data	
Design	Rectangular
Dimensions	478.1 x 59.4 x 32.6 mm
Housing material	Metal, Anodized AL
Window material	Plastic, diffuse
Electrical connection	Connector, M12 × 1, PVC
Number of cores	5
Ambient temperature	0...+50 °C
Protection class	IP50
Tests/approvals	
Approvals	CE, cULus listed

