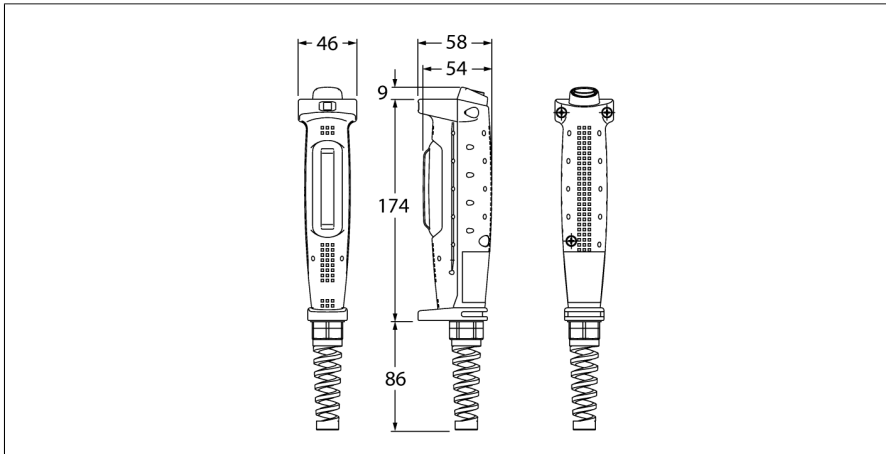


Safety Technology

Enabling Switch

ED1G-L20MB-1N



- Three-stage start/stop switch for machines
- With safety functions
- Ergonomic design
- Plastic housing
- Additional button for reset, hold-to-run or tip functions
- Protection class IP65
- Outputs: 2 × NO, 2 × NO (button)
- Integrated strain relief
- M20 × 1.5 male connector
- Operating temperature: -10...+60 °C

Functional principle

A JOG switch is a manually operated control device. When continuously activated and in combination with a separate control element, it enables the user to operate a machine in manual mode. The JOG switch is used to power up the machine. To actually start the machine, an additional signal is required. When the switch is released or pressed fully down, the machine stops immediately.

Type	ED1G-L20MB-1N
ID	3012937
Function	Enabling switch
Rated insulation voltage	250 V
Conventional thermal current	2 A
Impulse withstand voltage	2.5 kV
Insulation resistance	100 MΩ
Insulation class	II
Design	Handle Grip, ED1G
Housing material	Plastic, Thermoplastic material
Switching speed	20 /min
Mechanical lifespan	0,1 * 10 ⁶ Switching cycles
B10d value	0,1 * 10 ⁶ Switching cycles
Pollution degree	3
Electrical connection	Terminal chamber, Terminal box with cable gland
Number of cores	8
Ambient temperature	-10...+60 °C
Protection class	IP65