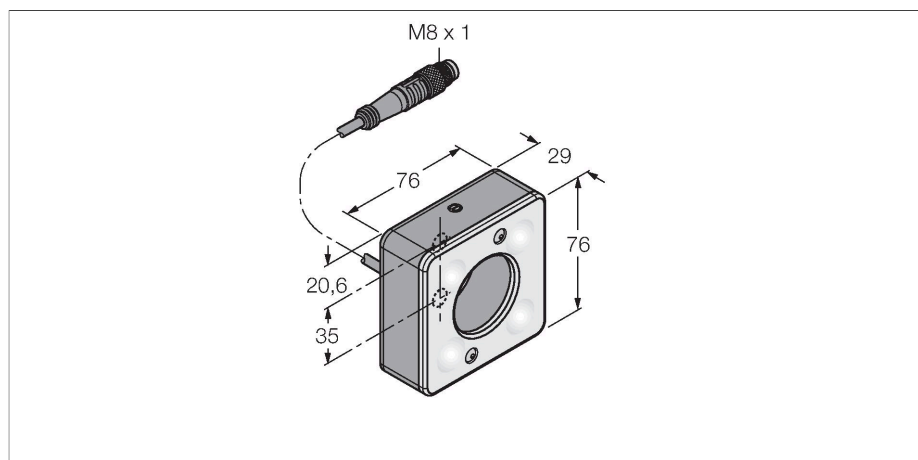


# LEDBR70XD5-PM

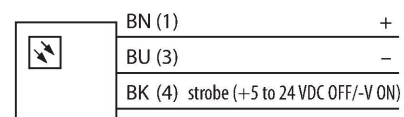
## Vision System – ring light



### Features

- High-Intensity
- Protection class: IP50
- Color: blue
- Light intensity, adjustable
- Power supply: 24 VDC
- Pigtail M8x1, 0.3m

### Wiring diagram



### Technical data

Type	LEDBR70XD5-PM
ID	3017387
<b>Signal and display data</b>	
Purpose	Image processing
Function	Area light
Light type	Blue
Wavelength	465...485 nm
LED service life (L70)	50000 h
Dimmable	Yes
Features of color 1	Blue
<b>Electrical data</b>	
Operating voltage	24 VDC
DC rated operational current	≤ 350 mA
Max. current consumption per color	350 mA
<b>Mechanical data</b>	
Design	Rectangular
Dimensions	76.2 x 76.2 x 38.7 mm
Housing material	Metal, Anodized AL
Window material	Acrylic, diffuse
Electrical connection	Cable with connector, M8 x 1, 0.3 m, PVC
Number of cores	3
Ambient temperature	0...+50 °C
Protection class	IP50
<b>Tests/approvals</b>	
Approvals	CE, cULus listed

### Functional principle

Directly mounted to the sensor for easy setup. Illumination of objects directly in front of the sensor.

