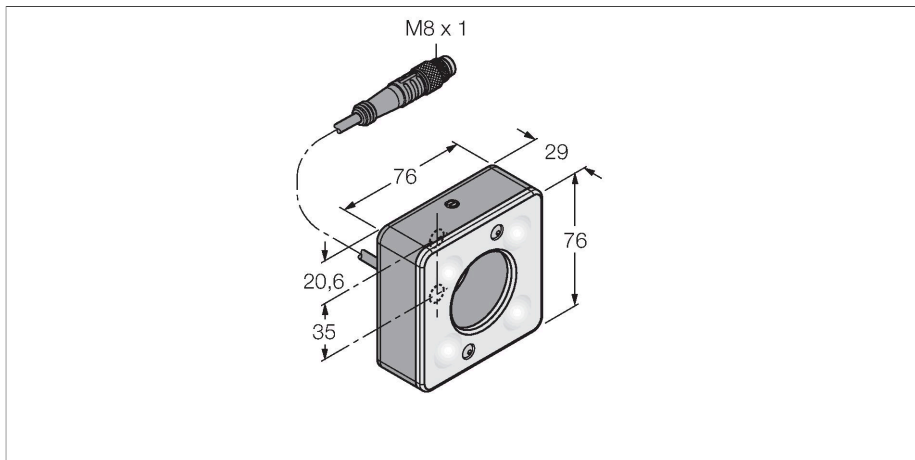


LEDGR70XD5-PM

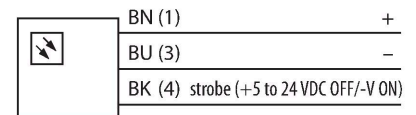
Vision System – ring light



Features

- High-Intensity
- Protection class: IP50
- Color: green
- Light intensity, adjustable
- Power supply: 24 VDC
- Pigtail M8x1, 0.3m

Wiring diagram



Technical data

Type	LEDGR70XD5-PM
ID	3017389
Signal and display data	
Purpose	Image processing
Function	Area light
Light type	Green
Wavelength	520...535 nm
LED service life (L70)	50000 h
Dimmable	Yes
Features of color 1	Green
Electrical data	
Operating voltage	24 VDC
DC rated operational current	≤ 350 mA
Max. current consumption per color	350 mA
Mechanical data	
Design	Rectangular
Dimensions	76.2 x 76.2 x 38.7 mm
Housing material	Metal, Anodized AL
Window material	Acrylic, diffuse
Electrical connection	Cable with connector, M8 x 1, 0.3 m, PVC
Number of cores	3
Ambient temperature	0...+50 °C
Protection class	IP50
Tests/approvals	
Approvals	CE, cULus listed

Functional principle

Directly mounted to the sensor for easy setup. Illumination of objects directly in front of the sensor.

