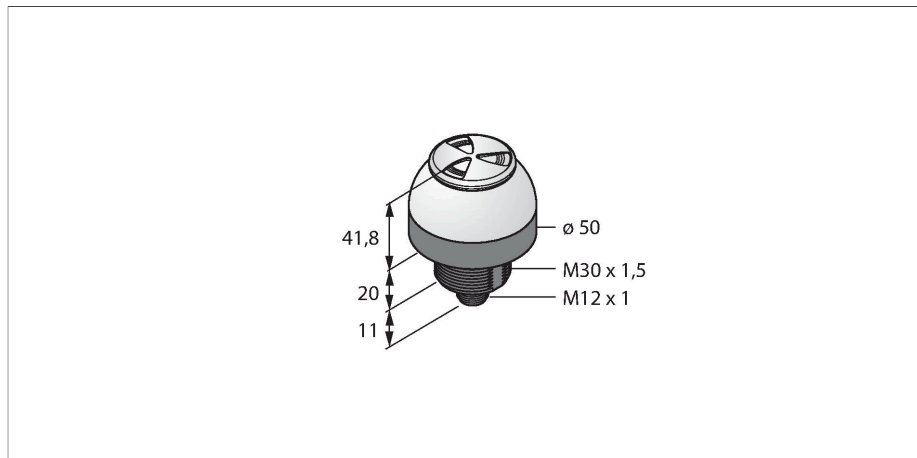


K50LGRASYPQ

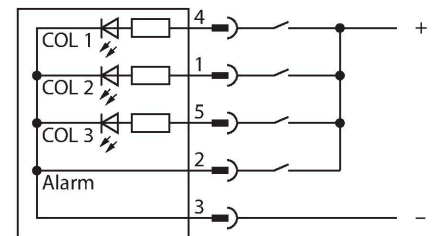
LED Indicator – Beacon with Audible Signal



Features

- LED all-round visible
- Continuous signal: 65dB
- Individually controllable
- Mechanical screw-in thread M30 x 1.5
- Protection class IP69K
- Multicolor: Green (COL 1) / Red (COL 2) / Yellow (COL 3)
- Male M12 x 1, 5-pin
- Operating voltage 12...30 VDC

Wiring diagram



Functional principle

The LED is IP67 / IP69k rated and qualified for indoor and outdoor applications. Depending on the connection, one of the two colours lights steady for the duration of a PNP input signal.

Technical data

Type	K50LGRASYPQ
ID	3019124
Signal and display data	
Purpose	LED indicator light
Function	Spotlight
Light type	Green Red Yellow
Dimmable	No
Features of color 1	Green, Permanently on
Features of color 2	Red
Features of color 3	Yellow
Features of color 4	Yellow
Acoustic signal	Continuous tone, 65 dB
Special features	Wash down
Electrical data	
Operating voltage	12...30 VDC
DC rated operational current	≤ 65 mA
Max. current consumption per color	35 mA
Max. current consumption of beeper	35 mA
Input type	PNP
Response time typical	< 1 ms
Mechanical data	
Cascadable	No
Design	Dome, K50L
Dimensions	Ø 50 x 73 mm
Housing material	Plastic, PC PC, Black

Technical data

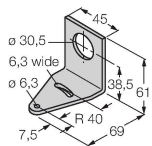
Window material	Polycarbonate, diffuse
Electrical connection	Connector, M12 × 1, PVC
Number of cores	5
Ambient temperature	-20...+50 °C
Relative humidity	0...95 %
Protection class	IP67 IP69
Tests/approvals	
Approvals	CE, UL listed

Accessories

SMB30A

3032723

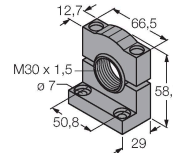
Mounting bracket, rectangular, stainless steel, for sensors with 30mm thread



SMB30SC

3052521

Mounting bracket, PBT black, for sensors with 30 mm thread, rotatable



Accessories

Dimension drawing	Type	ID	
	RKC4.5T-2/TEL	6625016	Connection cable, M12 female connector, straight, 5-pin, cable length: 2 m, jacket material: PVC, black; cULus approval
	WKC4.5T-2/TEL	6625028	Connection cable, M12 female connector, angled, 5-pin, cable length: 2 m, jacket material: PVC, black; cULus approval